

Technical Product Sheet

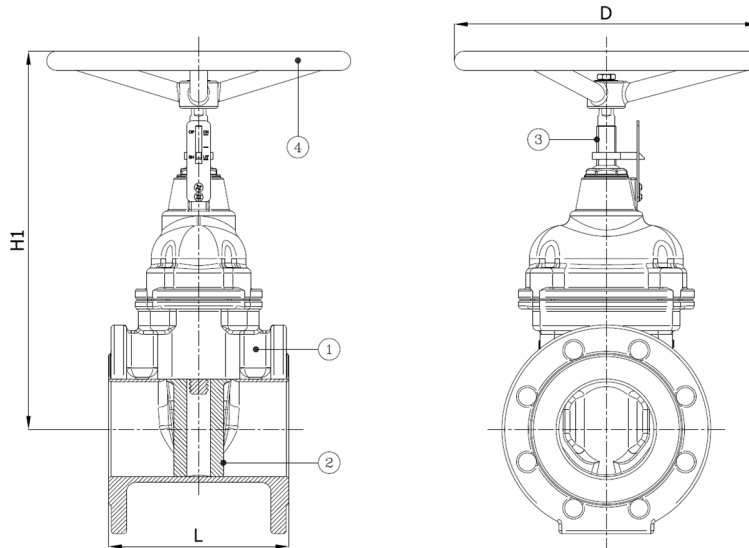
BV49A-3434B-F4-PN10/PN16 - Handwheel

Gate valve, flanged PN16, resilient seated, F4 short face to face, with handwheel

Face to Face Standard: EN 558-1 series 14



Item Number	Belven Ref.
49A3444B2040	BV49A-3434B-F4-PN16 DN040 - HANDWHEEL
49A3444B2050	BV49A-3434B-F4-PN16 DN050 - HANDWHEEL
49A3444B2065	BV49A-3434B-F4-PN16 DN065 - HANDWHEEL
49A3444B2080	BV49A-3434B-F4-PN16 DN080 - HANDWHEEL
49A3444B2100	BV49A-3434B-F4-PN16 DN100 - HANDWHEEL
49A3444B2125	BV49A-3434B-F4-PN16 DN125 - HANDWHEEL
49A3444B2150	BV49A-3434B-F4-PN16 DN150 - HANDWHEEL



DN/Size	L	H1	D	Press.Cl.	Weight(kg)
DN040 (1 1/2")	140	264	200	PN16	7.90
DN050 (2")	150	280,5	200	PN16	10.20
DN065 (2 1/2")	170	311,5	250	PN16	12.50
DN080 (3")	180	367	250	PN16	16.40
DN100 (4")	190	398,5	320	PN16	21.60
DN125 (5")	200	463,5	320	PN16	29.30
DN150 (6")	210	501	320	PN16	37.00

Belven N.V.

Blokhuisstraat 24 | 2800 Mechelen | Belgium

Tel. 015 29 40 70 | Fax. 015 20 14 13 | info@belven.com | www.belven.com

We keep the right to change the mentioned dimensions, weights, values and materials at any time without prior or direct notice.