

# Technical Product Sheet

## BV10S-GAS-2466NG-PN10/PN16/A150 - Lever

### DVGW approved

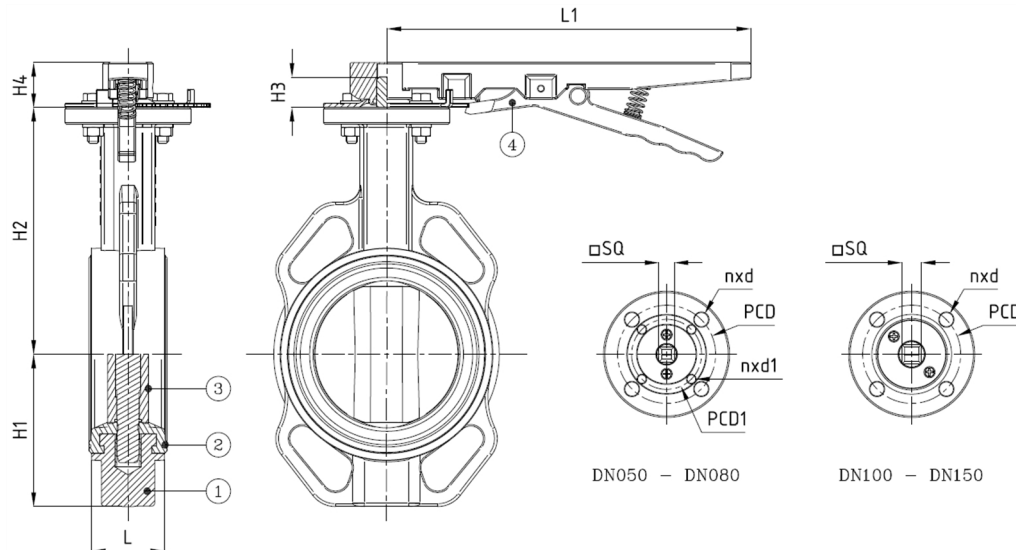
Wafer type butterfly valve, mounting between flanges PN10/PN16/A150, with lockable lever, DVGW Gas approved acc. to EN 13774:2013

Face to Face Standard: EN 558-1 Table 1 series 20

With NBR-GAS seat acc. to EN 682



Item Number	Belven Ref.
10SOG3047NG10050	BV10S-GAS-2466NG-PN16-DN050 - LEVER
10SOG3047NG10065	BV10S-GAS-2466NG-PN16-DN065 - LEVER
10SOG3047NG10080	BV10S-GAS-2466NG-PN16-DN080 - LEVER
10SOG3047NG10100	BV10S-GAS-2466NG-PN16-DN100 - LEVER
10SOG3047NG10125	BV10S-GAS-2466NG-PN16-DN125 - LEVER
10SOG3047NG10150	BV10S-GAS-2466NG-PN16-DN150 - LEVER



DN/Size	L	H1	H2	H3	H4	L1	SQ	ISO	PCD	n x d1	PCD1	ISO1	n x d	Press.Cl.	Weight(kg)
DN050 (2")	43	64	140,5	22	29	260	11	F05	50	4 x d10	70	F07	4 x d7	PN16	4.00
DN065 (2 1/2")	46	71,4	152,5	22	29	260	11	F05	50	4 x d10	70	F07	4 x d7	PN16	4.70
DN080 (3")	46	94	157,5	22	29	260	11	F05	50	4 x d10	70	F07	4 x d7	PN16	5.10
DN100 (4")	52	108,5	176	22	29	260	14	F07	70	4 x d10				PN16	6.60
DN125 (5")	56	119	191	22	29	260	14	F07	70	4 x d10				PN16	8.40
DN150 (6")	56	136	202,5	22	29	260	14	F07	70	4 x d10				PN16	9.90

Item 1	Item 2	Item 3	Item 4
Body Material	Seat Material	Disc Material	Actuator Material
Ductile iron : GGG40 + Epoxy coating	NBR-GAS	Stainless steel : CF8M	Malleable iron

Belven N.V.

Blokhuisstraat 24 | 2800 Mechelen | Belgium  
 Tel. 015 29 40 70 | Fax. 015 20 14 13 | info@belven.com | www.belven.com

We keep the right to change the mentioned dimensions, weights, values and materials at any time without prior or direct notice.