

Technical Product Sheet

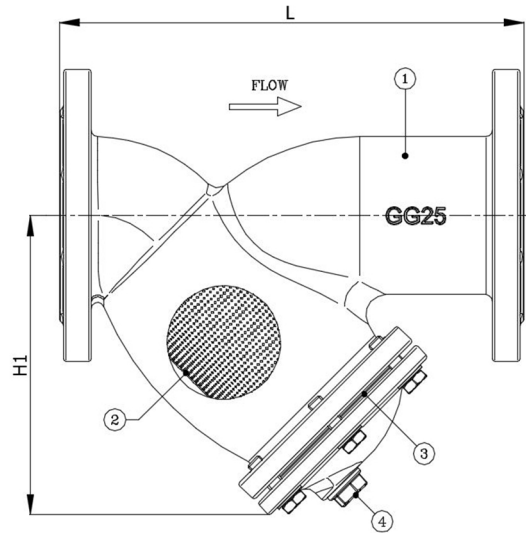
BV56-2363-PN16

Y-type strainer, flanged PN16, with perforated screen, with drain plug, -10°C to 80°C

Face to Face Standard: EN-558:2022 Table 14 series 1 (DIN3202 F1)



Item Number	Belven Ref.
563636G0050	BV56-2363-PN16-DN050
563636G0065	BV56-2363-PN16-DN065
563636G0080	BV56-2363-PN16-DN080
563636G0100	BV56-2363-PN16-DN100
563636G0125	BV56-2363-PN16-DN125
563636G0150	BV56-2363-PN16-DN150
563636G0200	BV56-2363-PN16-DN200
563636G0250	BV56-2363-PN16-DN250
563636G0300	BV56-2363-PN16-DN300



DN/Size	L	Drain Plug	H1	Screen Perforation	Press.Cl.	Weight(kg)
DN050 (2")	230	G 1/2"	178	1,1	PN16	11.80
DN065 (2 1/2")	290	G 1/2"	211	1,1	PN16	16.50
DN080 (3")	310	G 1/2"	220	1,1	PN16	19.00
DN100 (4")	350	G 1/2"	226	1,1	PN16	24.90
DN125 (5")	400	G 1/2"	264	1,1	PN16	35.60
DN150 (6")	480	G 1/2"	309	1,8	PN16	51.90
DN200 (8")	600	G 3/4"	410	1,8	PN16	92.30
DN250 (10")	730	G 3/4"	444	1,8	PN16	142.00
DN300 (12")	850	G 3/4"	486	1,8	PN16	210.00

Item 1	Item 2	Item 3	Item 4
Body Material	Screen Material	Gasket Material	Plug Material
Cast iron : GG25 + Epoxy powder coating (internal and external)	Stainless steel : A182-F304	Graphite	Stainless steel : A182-F304

Belven N.V.

Blokhuisstraat 24 | 2800 Mechelen | Belgium

Tel. 015 29 40 70 | Fax. 015 20 14 13 | info@belven.com | www.belven.com

We keep the right to change the mentioned dimensions, weights, values and materials at any time without prior or direct notice.