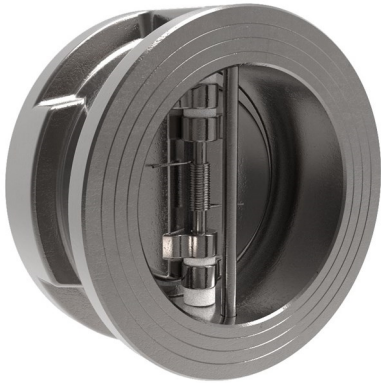


Technical Product Sheet

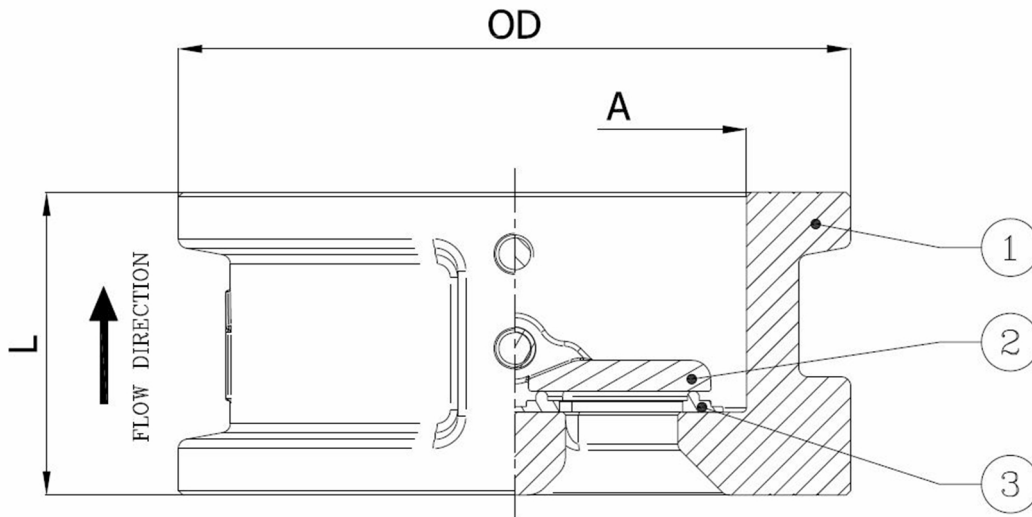
BV40-6666E-PN10

Duo-check valve, mounting between flanges PN10

Face to Face Standard: EN 558-1 series 16



Item Number	Belven Ref.
402077E0300	BV40-6666E-PN10-DN300



DN/Size	L	OD	A	Press.Cl.	Weight(kg)
DN300 (12")	114	378	325,5	PN10	33.50

Item 1	Item 2	Item 3
Body Material	Disc Material	Seat Material
Stainless steel : A351 CF8M	Stainless steel : A351 CF8M	EPDM

Belven N.V.

Blokhuisstraat 24 | 2800 Mechelen | Belgium

Tel. 015 29 40 70 | Fax. 015 20 14 13 | info@belven.com | www.belven.com

We keep the right to change the mentioned dimensions, weights, values and materials at any time without prior or direct notice.