

# Technical Product Sheet

## BV4-4466T-A150 - Double Acting

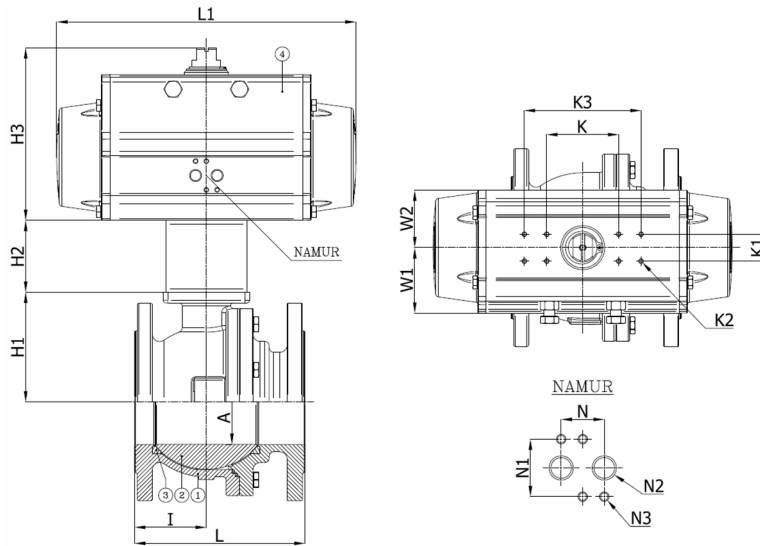
Ball valve, full bore, split body, flanged ANSI 150lbs, with double acting actuator

Face to Face Standard: ANSI B16.10

The actuator is selected for 25°C water with a pressure drop of 16 bar with 6 bar supply air pressure and minimum 1 cycle per week



Item Number	Belven Ref.
047A57DA1015	BV4-4466T-A150-DN015 - DA052
047A57DA1020	BV4-4466T-A150-DN020 - DA052
047A57DA1025	BV4-4466T-A150-DN025 - DA063
047A57DA1040	BV4-4466T-A150-DN040 - DA075
047A57DA1050	BV4-4466T-A150-DN050 - DA075
047A57DA1080	BV4-4466T-A150-DN080 - DA100
047A57DA1100	BV4-4466T-A150-DN100 - DA100
047A57DA1150	BV4-4466T-A150-DN150 - DA125
047A57DA1200	BV4-4466T-A150-DN200 - DA160



DN/Size	L	H1	H2	H3	I	L1	W1	W2	K	K3	K1	K2	N	N1	N2	N3	Press.Cl.	Weight(kg)
DN015 (1/2")	108	33	50	101,5	46,5	141	41	30	80		30	M5	24	32	1/8"	M5	A150	3.50
DN020 (3/4")	117	37	50	101,5	53	141	41	30	80		30	M5	24	32	1/8"	M5	A150	4.20
DN025 (1")	127	45	60	113	59,5	164	45	35,5	80		30	M5	24	32	1/8"	M5	A150	5.90
DN040 (1 1/2")	165	77	60	131	77	210	52,5	42	80		30	M5	24	32	1/8"	M5	A150	10.20
DN050 (2")	178	83,5	60	131	86	210	52,5	42	80		30	M5	24	32	1/8"	M5	A150	13.70
DN080 (3")	203	108	80	157,8	79,5	275	68	55	80		30	M5	24	32	1/4"	M5	A150	26.00
DN100 (4")	229	122	80	157,8	110	275	68	55	80	130	30	M5	24	32	1/4"	M5	A150	34.60
DN150 (6")	394	177	100	204,4	181	372	80	68	80	130	30	M5	24	32	1/4"	M5	A150	89.80
DN200 (8")	457	220	100	251	212	500	99	87	80	130	30	M5	24	32	1/4"	M5	A150	176.80

Item 1	Item 2	Item 3	Item 4
Body Material	Ball Material	Seat Material	Actuator Material
Carbon steel : A216 WCB	Stainless steel : A182-F304 / A351-CF8	PTFE	Extruded aluminium

Belven N.V.

Blokhuisstraat 24 | 2800 Mechelen | Belgium

Tel. 015 29 40 70 | Fax. 015 20 14 13 | info@belven.com | www.belven.com

We keep the right to change the mentioned dimensions, weights, values and materials at any time without prior or direct notice.