

# Technical Product Sheet



## BV10-2325E-PN10/PN16/A150 - Electric 110/240V

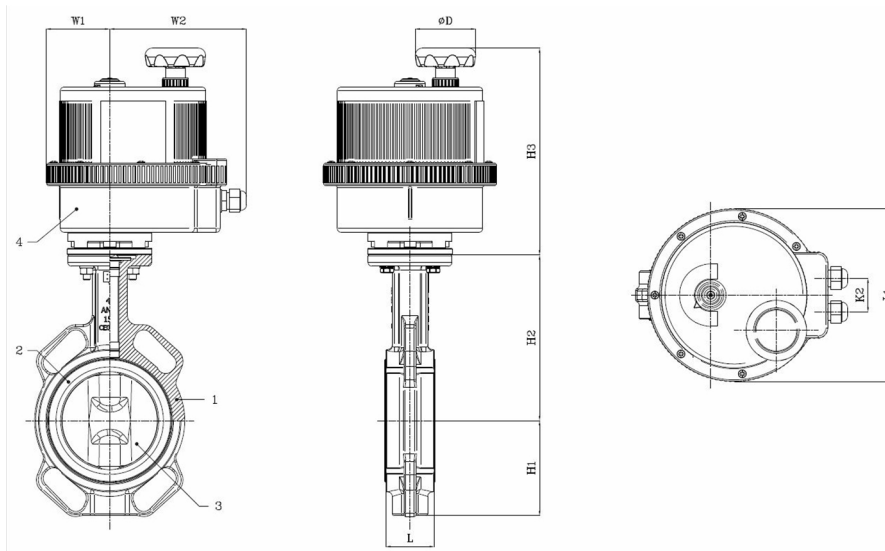
### AC

Wafer type butterfly valve, mounting between flanges PN6/PN10/PN16/A150, with electric actuator  
Face to Face Standard: EN 558-1 Table 1 series 20

The actuator is selected for 20°C water with a pressure drop of 6 bar and minimum 1 cycle per week - 110/240V AC



Item Number	Belven Ref.
101023EXVV0050	BV10-2325E-PN16-DN050 - VB030 110/240VAC
101023EXVV0065	BV10-2325E-PN16-DN065 - VB030 110/240VAC
101023EXVV0080	BV10-2325E-PN16-DN080 - VB060 110/240VAC
101023EXVV0100	BV10-2325E-PN16-DN100 - VB060 110/240VAC
101023EXVV0125	BV10-2325E-PN16-DN125 - VB110 110/240VAC
101023EXVV0150	BV10-2325E-PN16-DN150 - VB190 110/240VAC
101023EXVV0200	BV10-2325E-PN16-DN200 - VB270 110/240VAC
101023EXVV0250	BV10-2325E-PN16-DN250 - VB350 110/240VAC



DN/Size	L	H1	H2	H3	L1	W2	W1	D	K2	Press.Cl.	Weight(kg)
DN050 (2")	43	71,4	142,7	200	157	129,5	60,5	65	36	PN16	5.20
DN065 (2 1/2")	46	77,8	155,4	200	157	129,5	60,5	65	36	PN16	5.70
DN080 (3")	46	89	161,8	227	185	146,5	67,5	65	36	PN16	7.00
DN100 (4")	52	102	178	221	185	146,5	67,5	65	36	PN16	8.10
DN125 (5")	56	123	190,5	232,1	211	153	84	110	40	PN16	11.30
DN150 (6")	56	138	205,2	232,1	211	153	84	110	40	PN16	12.70
DN200 (8")	60	168	237	247	222	170	77	110	40	PN16	21.70
DN250 (10")	68	207	268,3	247	222	170	77	110	40	PN16	26.80

Item 1	Item 2	Item 3	Item 4
Body Material	Seat Material	Disc Material	Actuator Material
Cast iron : GG25 + Epoxy coating	EPDM	Nickel plated : GGG40 + Ni	Self-extinguishing polymer

Belven N.V.

Blokhuisstraat 24 | 2800 Mechelen | Belgium  
Tel. 015 29 40 70 | Fax. 015 20 14 13 | info@belven.com | www.belven.com

We keep the right to change the mentioned dimensions, weights, values and materials at any time without prior or direct notice.