

# Technical Product Sheet

## BV4S-4766T-A150 - Single Acting (AFC)

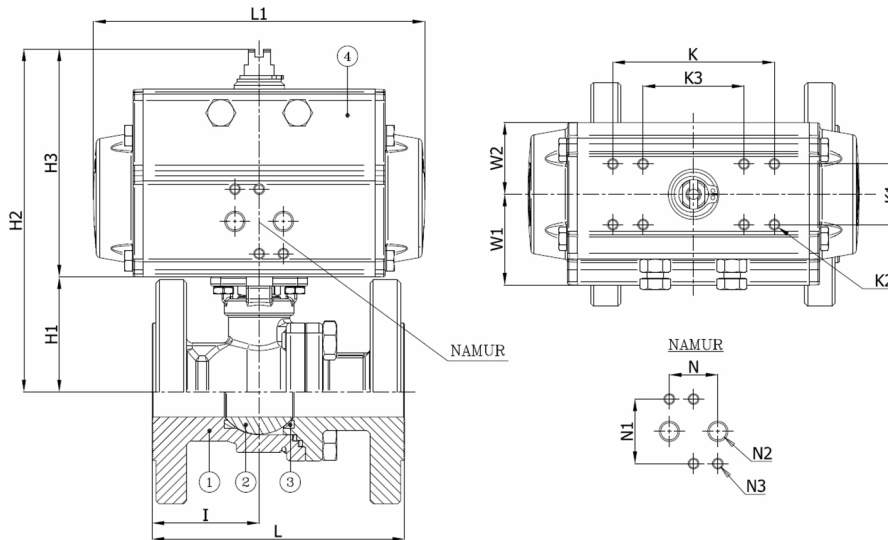
Ball valve, full bore, split body, flanged ANSI 150lbs, with spring return actuator AFC

Face to Face Standard: ANSI B16.10

The actuator is selected for 25°C water with a pressure drop of 16 bar with 6 bar supply air pressure and minimum 1 cycle per week, at air pressure failure the springs will put the valve in closed position



Item Number	Belven Ref.
04S7A07SR2025	BV4S-4766T-A150-DN025 - SR063
04S7A07SR2040	BV4S-4766T-A150-DN040 - SR063
04S7A07SR2050	BV4S-4766T-A150-DN050 - SR100
04S7A07SR2080	BV4S-4766T-A150-DN080 - SR115
04S7A07SR2100	BV4S-4766T-A150-DN100 - SR125



DN/Size	L	H1	H2	H3	I	L1	W1	W2	K	K3	K1	K2	N	N1	N2	N3	Press.Cl.	Weight(kg)
DN025 (1")	127	58	171	113	53	164	45	35,5	80		30	M5	24	32	1/8"	M5	A150	5.67
DN040 (1 1/2")	165	80	193	113	52	164	45	35,5	80		30	M5	24	32	1/8"	M5	A150	8.67
DN050 (2")	178	89,5	247,3	157,8	57,5	275	68	55	80		30	M5	24	32	1/4"	M5	A150	16.30
DN080 (3")	203	120	312,4	192,4	75,5	333	73	64	80	130	30	M5	24	32	1/4"	M5	A150	28.65
DN100 (4")	229	134,5	338,9	204,4	80	372	80	68	80	130	30	M5	24	32	1/4"	M5	A150	37.48

Item 1	Item 2	Item 3	Item 4
Body Material	Ball Material	Seat Material	Actuator Material
Low-temperature steel : 1.1156 (LCB)	Stainless steel : A182-F304/A351-CF8	PTFE	Extruded aluminium

Belven N.V.

Blokhuisstraat 24 | 2800 Mechelen | Belgium

Tel. 015 29 40 70 | Fax. 015 20 14 13 | [info@belven.com](mailto:info@belven.com) | [www.belven.com](http://www.belven.com)

We keep the right to change the mentioned dimensions, weights, values and materials at any time without prior or direct notice.