

Technical Product Sheet



BV4-6666T-PN10/PN16/PN40 - Single Acting (AFC) **belven**

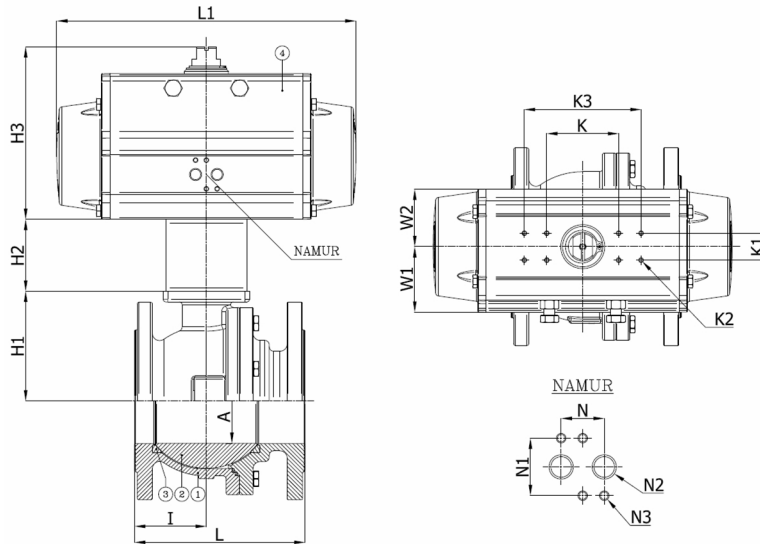
Ball valve, full bore, split body, flanged PN10/PN16/PN40, with spring return actuator AFC

Face to Face Standard: EN 558-1 series 27

The actuator is selected for 25°C water with a pressure drop of 16 bar with 6 bar supply air pressure and minimum 1 cycle per week, at air pressure failure the springs will put the valve in closed position



Item Number	Belven Ref.
043D77SA1015	BV4-6666T-PN40-DN015 - SR052
043D77SA1020	BV4-6666T-PN40-DN020 - SR063
043D77SA1025	BV4-6666T-PN40-DN025 - SR075
043D77SA1032	BV4-6666T-PN40-DN032 - SR075
043D77SA1040	BV4-6666T-PN40-DN040 - SR085
043D77SA1050	BV4-6666T-PN40-DN050 - SR085



DN/Size	L	H1	H2	H3	A	I	L1	W1	W2	Press.Cl.	Weight(kg)
DN015 (1/2")	115	33	50	101,5	15	49	141	41	30	PN40	4.20
DN020 (3/4")	120	37	50	113	19	51	164	45	35,5	PN40	5.90
DN025 (1")	125	45	60	131	25	54	210	52,5	42	PN40	8.20
DN032 (1 1/4")	130	48,5	60	131	30	55	210	52,5	42	PN40	9.60
DN040 (1 1/2")	140	77	60	145	38	51,5	240,5	58,5	47,5	PN40	12.70
DN050 (2")	150	83,5	60	145	50,2	57,5	240,5	58,5	47,5	PN40	16.50

Item 1	Item 2	Item 3	Item 4
Body Material	Ball Material	Seat Material	Actuator Material
Stainless steel : 1.4408 (CF8M)	Stainless steel : A182-F316 / A351-CF8M	PTFE	Extruded aluminium

Belven N.V.

Blokhuisstraat 24 | 2800 Mechelen | Belgium

Tel. 015 29 40 70 | Fax. 015 20 14 13 | info@belven.com | www.belven.com

We keep the right to change the mentioned dimensions, weights, values and materials at any time without prior or direct notice.