

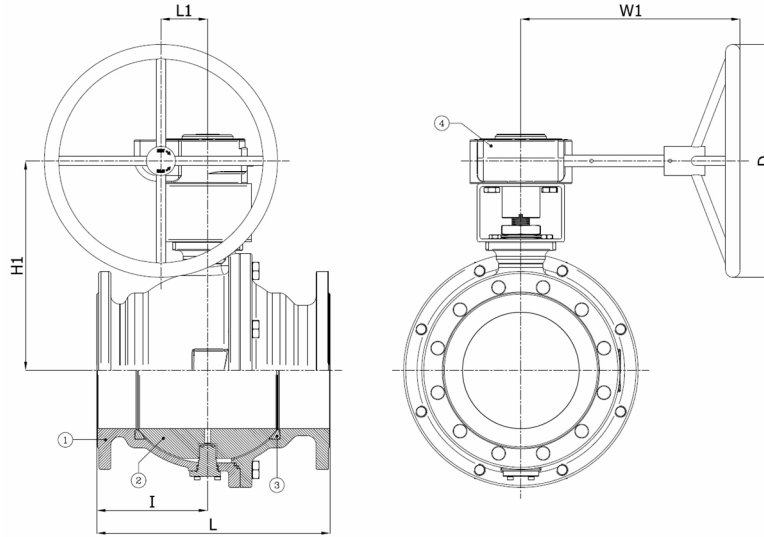
Technical Product Sheet

BV4-6666T-PN16-TR - Gearbox

Ball valve, full bore, trunnion mounted, split body, flanged PN16, with Rotork gearbox
Face to Face Standard: EN 558-1 series 27



Item Number	Belven Ref.
043D77F5250TR	BV4-6666T-PN16-TR-DN250 - GEARBOX
043D77F5300TR	BV4-6666T-PN16-TR-DN300 - GEARBOX



DN/Size	L	H1	I	L1	W1	D	Press.Cl.	Weight(kg)
DN250 (10")	450	434	225	86	305	700	PN16	0.00
DN300 (12")	500	471	250	104,5	346	700	PN16	0.00

Item 1	Item 2	Item 3	Item 4
Body Material	Ball Material	Seat Material	Actuator Material
Stainless steel : 1.4408 (CF8M)	Stainless steel : A182-F316 / A351-CF8M	PTFE	Cast Iron