

# Technical Product Sheet

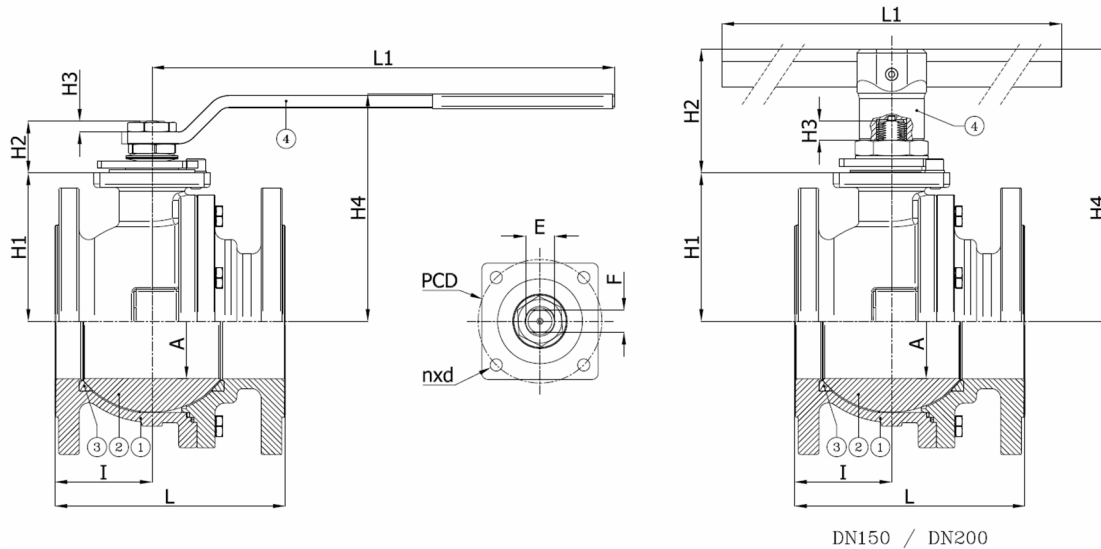
## BV4-4466G-PN16 - Lever - GAS

Ball valve with KVBG GAS aproval, full bore, split body, flanged PN16, with lever

Face to Face Standard: EN 558-1 series 27



Item Number	Belven Ref.
043D57G1050	BV4-4466G-PN40-DN050 - LEVER
043D57G1065	BV4-4466G-PN16-DN065 - LEVER
043D57G1080	BV4-4466G-PN16-DN080 - LEVER
043D57G1100	BV4-4466G-PN16-DN100 - LEVER
043D57G1125	BV4-4466G-PN16-DN125 - LEVER
043D57G1150	BV4-4466G-PN16-DN150 - LEVER
043D57G1200	BV4-4466G-PN16-DN200 - LEVER



DN150 / DN200

DN/Size	L	H1	H2	H3	H4	A	I	L1	E	F	ISO	PCD	n x d	Press.Cl.	Weight(kg)
DN050 (2")	150	83,5	38,5	144	144	50,2	57,5	321	M20	14	F07	70	4 x M8	PN40	11.40
DN065 (2 1/2")	170	93,5	39,5	18	154	64	61	321	M20	14	F07	70	4 x M8	PN16	16.20
DN080 (3")	180	108	43	18	173	76	75,5	381	M24	18	F10	102	4 x M10	PN16	19.60
DN100 (4")	190	122	43	18	187	95	80	381	M24	18	F10	102	4 x M10	PN16	27.10
DN125 (5")	325	144	43	18	209	125	149	381	M24	18	F10	102	4 x M10	PN16	47.10
DN150 (6")	350	177	68	27,5	305	150	157	700	M42	30	F12	125	4 x M12	PN16	75.50
DN200 (8")	400	220	68	27,5	348	200	190	700	M42	30	F12	125	4 x M12	PN16	133.50

Item 1	Item 2	Item 3	Item 4
Body Material	Ball Material	Seat Material	Actuator Material
Carbon steel : 1.0619 (WCB)	Stainless steel : A182-F304 / A351-CF8	PTFE	Carbon steel A37