

Technical Product Sheet

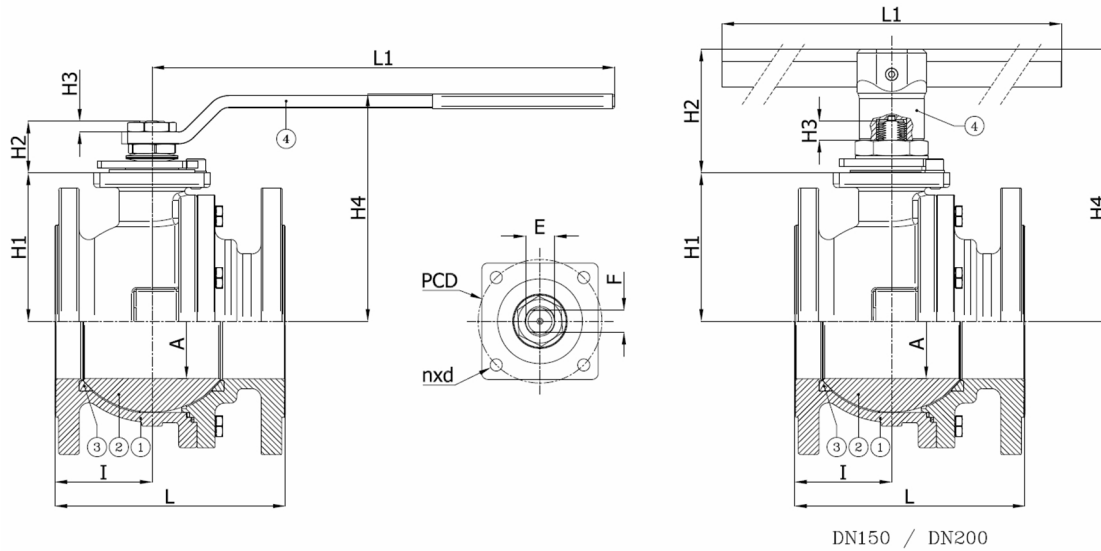
BV4-4466T-PN16 - Lever

Ball valve, full bore, split body, flanged PN16, with lever

Face to Face Standard: EN 558-1 series 27



| Item Number | Belven Ref. |
|-------------|------------------------------|
| 043D57F1065 | BV4-4466T-PN16-DN065 - LEVER |
| 043D57F1080 | BV4-4466T-PN16-DN080 - LEVER |
| 043D57F1100 | BV4-4466T-PN16-DN100 - LEVER |
| 043D57F1125 | BV4-4466T-PN16-DN125 - LEVER |
| 043D57F1150 | BV4-4466T-PN16-DN150 - LEVER |
| 043D57F1200 | BV4-4466T-PN16-DN200 - LEVER |



DN150 / DN200

| DN/Size | L | H1 | H2 | H3 | H4 | A | I | L1 | E | F | ISO | PCD | n x d | Press.Cl. | Weight(kg) |
|---------------|-----|------|------|------|-----|-----|------|-----|-----|----|-----|-----|---------|-----------|------------|
| DN65 (2 1/2") | 170 | 93,5 | 39,5 | 18 | 154 | 64 | 61 | 321 | M20 | 14 | F07 | 70 | 4 x M8 | PN16 | 16.20 |
| DN80 (3") | 180 | 108 | 43 | 18 | 173 | 76 | 75,5 | 381 | M24 | 18 | F10 | 102 | 4 x M10 | PN16 | 19.60 |
| DN100 (4") | 190 | 122 | 43 | 18 | 187 | 95 | 80 | 381 | M24 | 18 | F10 | 102 | 4 x M10 | PN16 | 27.10 |
| DN125 (5") | 325 | 144 | 43 | 18 | 209 | 125 | 149 | 381 | M24 | 18 | F10 | 102 | 4 x M10 | PN16 | 47.10 |
| DN150 (6") | 350 | 177 | 68 | 27,5 | 305 | 150 | 157 | 700 | M42 | 30 | F12 | 125 | 4 x M12 | PN16 | 75.50 |
| DN200 (8") | 400 | 220 | 68 | 27,5 | 348 | 200 | 190 | 700 | M42 | 30 | F12 | 125 | 4 x M12 | PN16 | 133.50 |

| Item 1 | Item 2 | Item 3 | Item 4 |
|-----------------------------|--|---------------|-------------------|
| Body Material | Ball Material | Seat Material | Actuator Material |
| Carbon steel : 1.0619 (WCB) | Stainless steel : A182-F304 / A351-CF8 | PTFE | Carbon steel A37 |

Belven N.V.

Blokhuisstraat 24 | 2800 Mechelen | Belgium

Tel. 015 29 40 70 | Fax. 015 20 14 13 | info@belven.com | www.belven.com

We keep the right to change the mentioned dimensions, weights, values and materials at any time without prior or direct notice.