

Technical Product Sheet



BV3M3-6666T-BW - Single Acting (AFC)

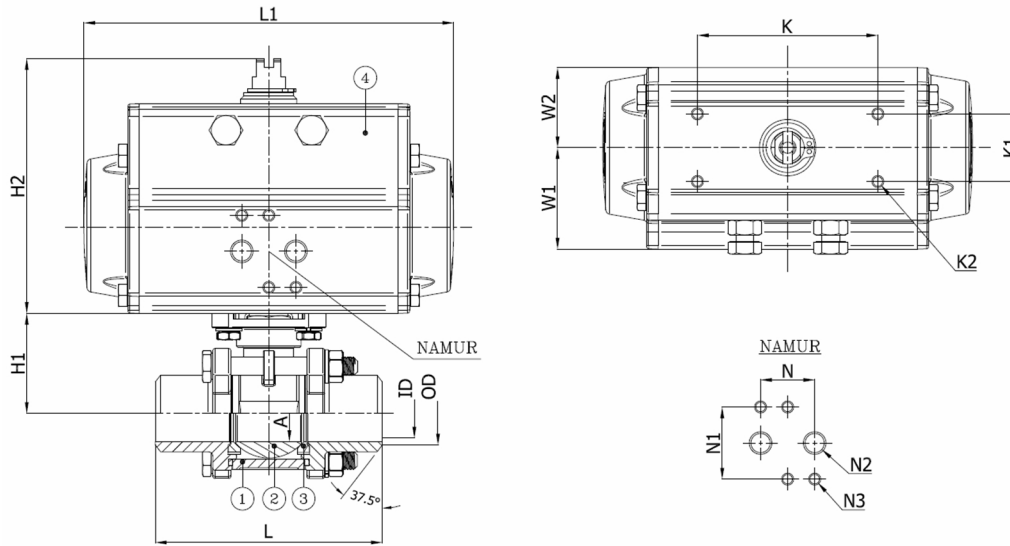
Ball valve with 3-pce body, full bore, welding ends BW ASME B16.25 Sched.40, with spring return actuator AFC

Face to Face Standard: DIN 3202-2 S13

The actuator is selected for 20°C water with a pressure drop of 6 bar with 6 bar supply air pressure and minimum 1 cycle per week, at air pressure failure the springs will put the valve in closed position



| Item Number | Belven Ref. |
|-----------------|---------------------------------|
| 03M36877TSR2008 | BV3M3-6666T-BW - 1/4" - SR052 |
| 03M36877TSR2010 | BV3M3-6666T-BW - 3/8" - SR052 |
| 03M36877TSR2015 | BV3M3-6666T-BW - 1/2" - SR052 |
| 03M36877TSR2020 | BV3M3-6666T-BW - 3/4" - SR063 |
| 03M36877TSR2025 | BV3M3-6666T-BW - 1" - SR063 |
| 03M36877TSR2032 | BV3M3-6666T-BW - 1 1/4" - SR075 |
| 03M36877TSR2040 | BV3M3-6666T-BW - 1 1/2" - SR075 |
| 03M36877TSR2050 | BV3M3-6666T-BW - 2" - SR085 |



| DN/Size | L | H1 | H2 | A | L1 | ID | OD | W1 | W2 | K | K1 | K2 | N | N1 | N2 | N3 | Press.Cl. | Weight(kg) |
|----------------|-----|------|-------|------|-------|------|------|------|------|----|----|----|----|----|------|----|-----------|------------|
| DN008 (1/4") | 55 | 36 | 101,5 | 11,6 | 141 | 11,6 | 18,1 | 41 | 30 | 80 | 30 | M5 | 24 | 32 | 1/8" | M5 | 1000 WOG | 1.90 |
| DN010 (3/8") | 60 | 36 | 101,5 | 12,8 | 141 | 12,8 | 18,1 | 41 | 30 | 80 | 30 | M5 | 24 | 32 | 1/8" | M5 | 1000 WOG | 1.90 |
| DN015 (1/2") | 75 | 38 | 101,5 | 15 | 141 | 15 | 21,7 | 41 | 30 | 80 | 30 | M5 | 24 | 32 | 1/8" | M5 | 1000 WOG | 1.95 |
| DN020 (3/4") | 90 | 41,7 | 113 | 20 | 164 | 20 | 27,2 | 45 | 35,5 | 80 | 30 | M5 | 24 | 32 | 1/8" | M5 | 1000 WOG | 3.02 |
| DN025 (1") | 100 | 44,4 | 113 | 25 | 164 | 25 | 34 | 45 | 35,5 | 80 | 30 | M5 | 24 | 32 | 1/8" | M5 | 1000 WOG | 3.28 |
| DN032 (1 1/4") | 110 | 52,8 | 131 | 32 | 210 | 32 | 42,7 | 52,5 | 42 | 80 | 30 | M5 | 24 | 32 | 1/8" | M5 | 1000 WOG | 5.30 |
| DN040 (1 1/2") | 125 | 58,5 | 131 | 38 | 210 | 38 | 48,6 | 52,5 | 42 | 80 | 30 | M5 | 24 | 32 | 1/8" | M5 | 1000 WOG | 5.90 |
| DN050 (2") | 150 | 66 | 145 | 50 | 240,5 | 50 | 60,5 | 58,5 | 47,5 | 80 | 30 | M5 | 24 | 32 | 1/8" | M5 | 1000 WOG | 8.50 |

| Item 1 | Item 2 | Item 3 | Item 4 |
|-----------------------------|-----------------------------|---------------|--------------------|
| Body Material | Ball Material | Seat Material | Actuator Material |
| Stainless steel : A351 CF8M | Stainless steel : A351 CF8M | PTFE | Extruded aluminium |

Belven N.V.

Blokhuisstraat 24 | 2800 Mechelen | Belgium

Tel. 015 29 40 70 | Fax. 015 20 14 13 | info@belven.com | www.belven.com

We keep the right to change the mentioned dimensions, weights, values and materials at any time without prior or direct notice.