

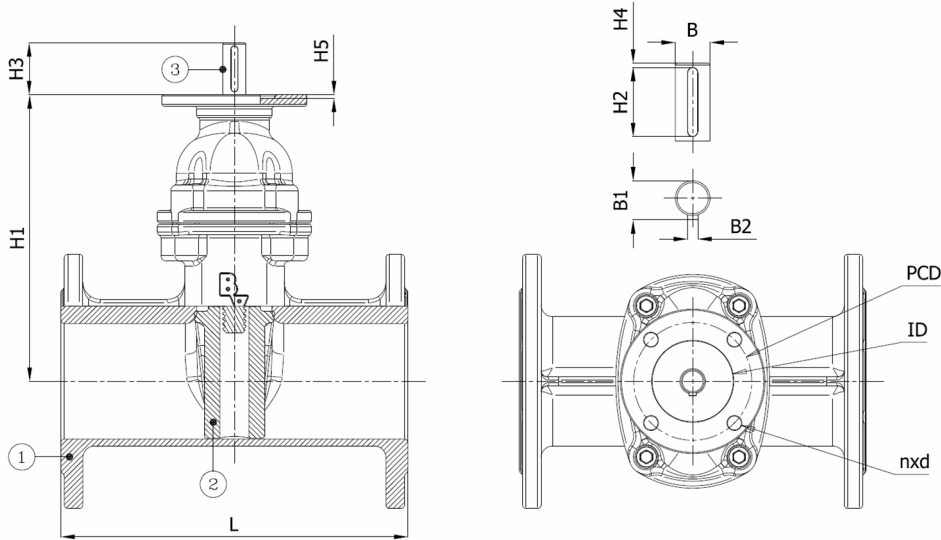
# Technical Product Sheet

## BV49-3434E-F5-PN10 - ISO

Gate valve, flanged PN10, resilient seated, F5 short face to face, bare shaft with ISO 5211 flange for automation  
Face to Face Standard: EN 558-1 series 15



Item Number	Belven Ref.
492544E0200	BV49-3434E-F5-PN10 DN200 - BARE SHAFT
492544E0250	BV49-3434E-F5-PN10 DN250 - BARE SHAFT
492544E0300	BV49-3434E-F5-PN10 DN300 - BARE SHAFT
492544E0350	BV49-3434E-F5-PN10 DN350 - BARE SHAFT
492544E0400	BV49-3434E-F5-PN10 DN400 - BARE SHAFT
492544E0450	BV49-3434E-F5-PN10 DN450 - BARE SHAFT
492544E0500	BV49-3434E-F5-PN10 DN500 - BARE SHAFT
492544E0600	BV49-3434E-F5-PN10 DN600 - BARE SHAFT



DN/Size	L	H1	H2	H3	H4	PCD	B	B1	B2	ID	H5	ISO	n x d	Press.Cl.	Weight(kg)
DN200 (8")	400	620	55	65	5	140	30	32	8	100	4,5	F14	4 x d18	PN10	59.20
DN250 (10")	450	720	55	65	5	140	30	32	8	100	4,5	F14	4 x d18	PN10	93.50
DN300 (12")	500	780	55	65	5	140	30	32	8	100	4,5	F14	4 x d18	PN10	137.00
DN350 (14")	550	884	60	65	5	140	30	32	8	100	4,5	F14	4 x d18	PN10	205.00
DN400 (16")	600	950	60	65	5	140	30	32	8	100	4,5	F14	4 x d18	PN10	294.00
DN450 (18")	650	1000	60	65	5	140	30	32	8	100	4,5	F14	4 x d18	PN10	431.00
DN500 (20")	700	1100	60	80	5	140	30	32	8	100	4,5	F14	4 x d18	PN10	519.00
DN600 (24")	800	1235	60	110	5	140	30	32	8	100	4,5	F14	4 x d18	PN10	719.00

Belven N.V.

Blokhuisstraat 24 | 2800 Mechelen | Belgium

Tel. 015 29 40 70 | Fax. 015 20 14 13 | [info@belven.com](mailto:info@belven.com) | [www.belven.com](http://www.belven.com)

We keep the right to change the mentioned dimensions, weights, values and materials at any time without prior or direct notice.