

# Technical Product Sheet

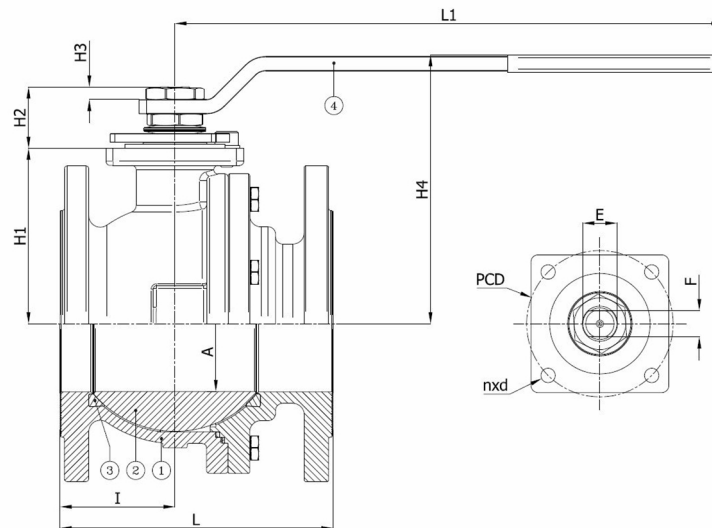
## BV4-4466T-PN10/PN16/PN40 - Lever

Ball valve, full bore, split body, flanged PN10/PN16/PN40, with lever

Face to Face Standard: EN 558-1 series 27



Item Number	Belven Ref.
043D57F1015	BV4-4466T-PN40-DN015 - LEVER
043D57F1020	BV4-4466T-PN40-DN020 - LEVER
043D57F1025	BV4-4466T-PN40-DN025 - LEVER
043D57F1032	BV4-4466T-PN40-DN032 - LEVER
043D57F1040	BV4-4466T-PN40-DN040 - LEVER
043D57F1050	BV4-4466T-PN40-DN050 - LEVER



DN/Size	L	H1	H2	H3	H4	A	I	L1	E	F	ISO	PCD	n x d	Press.Cl.	Weight(kg)
DN15 (1/2")	115	33	19	88	88	15	49	131	M10	7	F04	42	4 x M5	PN40	2.50
DN20 (3/4")	120	37	19	93	93	19	51	131	M10	7	F04	42	4 x M5	PN40	3.20
DN25 (1")	125	45	27,5	89	89	25	54	174	M12	8	F05	50	4 x M6	PN40	4.50
DN32 (1 1/4")	130	48,5	27,5	93	93	30	55	174	M12	8	F05	50	4 x M6	PN40	5.80
DN40 (1 1/2")	140	77	30	133	133	38	51,5	250	M16	10	F05	50	4 x M6	PN40	8.10
DN50 (2")	150	83,5	38,5	144	144	50,2	57,5	321	M20	14	F07	70	4 x M8	PN40	11.40

Item 1	Item 2	Item 3	Item 4
Body Material	Ball Material	Seat Material	Actuator Material
Carbon steel : 1.0619 (WCB)	Stainless steel : A182-F304 / A351-CF8	PTFE	Carbon steel A37

Belven N.V.

Blokhuisstraat 24 | 2800 Mechelen | Belgium

Tel. 015 29 40 70 | Fax. 015 20 14 13 | [info@belven.com](mailto:info@belven.com) | [www.belven.com](http://www.belven.com)

We keep the right to change the mentioned dimensions, weights, values and materials at any time without prior or direct notice.