

Technical Product Sheet

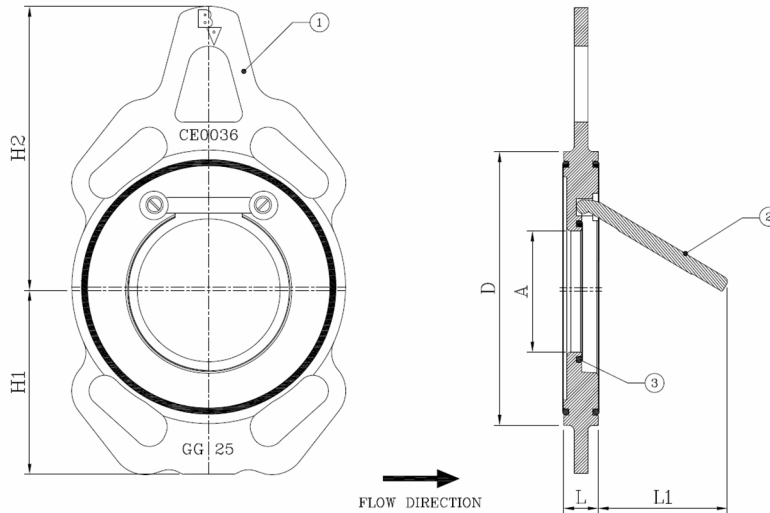
BV38-2345E-PN10/PN16

Wafer type swing check valve, mounting between flanges PN10/16

Face to Face Standard: Factory standard



| Item Number | Belven Ref. |
|-------------|-----------------------|
| 383035E0050 | BV38-2345E-PN16-DN050 |
| 383035E0065 | BV38-2345E-PN16-DN065 |
| 383035E0080 | BV38-2345E-PN16-DN080 |
| 383035E0100 | BV38-2345E-PN16-DN100 |
| 383035E0125 | BV38-2345E-PN16-DN125 |
| 383035E0150 | BV38-2345E-PN16-DN150 |
| 383035E0200 | BV38-2345E-PN16-DN200 |
| 383035E0250 | BV38-2345E-PN16-DN250 |
| 383035E0300 | BV38-2345E-PN16-DN300 |



| DN/Size | L | H1 | D | A | L1 | H2 | Press.Cl. | Weight(kg) |
|----------------|----|-----|-----|-----|-----|-----|-----------|------------|
| DN050 (2") | 18 | 65 | 99 | 32 | 44 | 130 | PN16 | 1.20 |
| DN065 (2 1/2") | 20 | 72 | 118 | 40 | 52 | 140 | PN16 | 1.80 |
| DN080 (3") | 20 | 94 | 132 | 54 | 62 | 150 | PN16 | 2.10 |
| DN100 (4") | 20 | 108 | 158 | 70 | 78 | 162 | PN16 | 2.90 |
| DN125 (5") | 22 | 120 | 184 | 92 | 95 | 175 | PN16 | 3.80 |
| DN150 (6") | 22 | 135 | 215 | 112 | 114 | 188 | PN16 | 4.90 |
| DN200 (8") | 22 | 165 | 265 | 154 | 153 | 220 | PN16 | 7.50 |
| DN250 (10") | 29 | 202 | 319 | 200 | 195 | 250 | PN16 | 12.70 |
| DN300 (12") | 38 | 325 | 370 | 240 | 229 | 288 | PN16 | 21.20 |

| Item 1 | Item 2 | Item 3 |
|----------------------------------|---------------|---------------|
| Body Material | Disc Material | Seat Material |
| Cast iron : GG25 + Epoxy coating | Carbon steel | EPDM |

Belven N.V.

Blokhuisstraat 24 | 2800 Mechelen | Belgium
 Tel. 015 29 40 70 | Fax. 015 20 14 13 | info@belven.com | www.belven.com

We keep the right to change the mentioned dimensions, weights, values and materials at any time without prior or direct notice.