

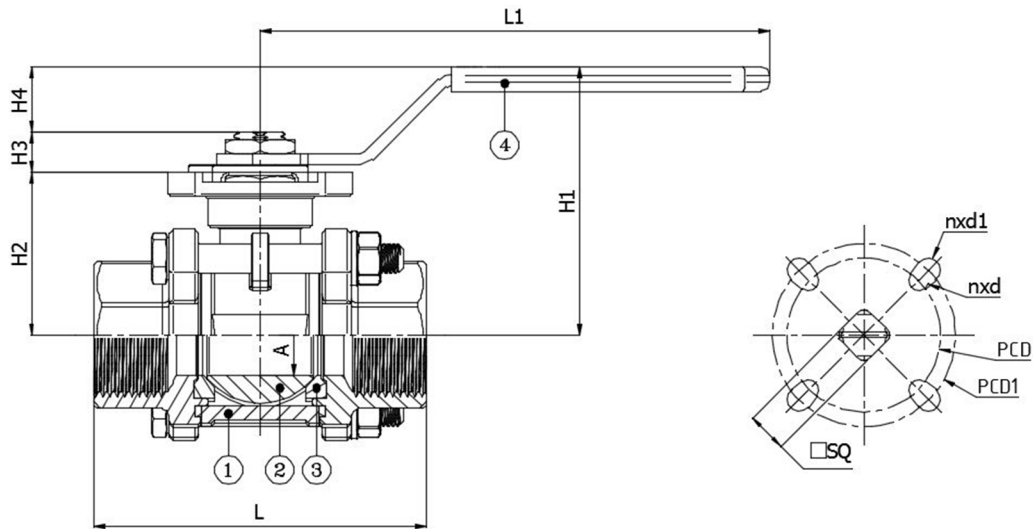
Technical Product Sheet

BV3M3-6666T-NPT - Lever

Ball valve with 3-pce body, full bore, NPT threaded F/F ANSI B2.1, ISO 5211 high top flange, with lockable lever
Face to Face Standard: DIN 3202-4 M3



| Item Number | Belven Ref. |
|---------------|----------------------------------|
| 03M36377T1008 | BV3M3-6666T-NPT - 1/4" - LEVER |
| 03M36377T1010 | BV3M3-6666T-NPT - 3/8" - LEVER |
| 03M36377T1015 | BV3M3-6666T-NPT - 1/2" - LEVER |
| 03M36377T1020 | BV3M3-6666T-NPT - 3/4" - LEVER |
| 03M36377T1025 | BV3M3-6666T-NPT - 1" - LEVER |
| 03M36377T1032 | BV3M3-6666T-NPT - 1 1/4" - LEVER |
| 03M36377T1040 | BV3M3-6666T-NPT - 1 1/2" - LEVER |
| 03M36377T1050 | BV3M3-6666T-NPT - 2" - LEVER |



| DN/Size | L | H1 | H2 | H3 | H4 | A | L1 | SQ | ISO | PCD | n x d1 | PCD1 | ISO1 | n x d | Press.Cl. | Weight(kg) |
|----------------|-----|-------|------|----|------|------|-----|----|-----|-----|--------|------|------|-------|-----------|------------|
| DN008 (1/4") | 55 | 61,1 | 36 | 9 | 15,5 | 11,6 | 112 | 9 | F03 | 36 | | | | 4 x 6 | 1000 WOG | 0.50 |
| DN010 (3/8") | 60 | 61,1 | 36 | 9 | 15,5 | 12,8 | 112 | 9 | F03 | 36 | | | | 4 x 6 | 1000 WOG | 0.50 |
| DN015 (1/2") | 75 | 63,1 | 38 | 9 | 15,5 | 15 | 112 | 9 | F03 | 36 | | | | 4 x 6 | 1000 WOG | 0.60 |
| DN020 (3/4") | 80 | 70,6 | 41,7 | 11 | 17,3 | 20 | 138 | 11 | F04 | 42 | 4 x 7 | 50 | F05 | 4 x 6 | 1000 WOG | 0.90 |
| DN025 (1") | 90 | 73,3 | 44,4 | 11 | 17,3 | 25 | 138 | 11 | F04 | 42 | 4 x 7 | 50 | F05 | 4 x 6 | 1000 WOG | 1.10 |
| DN032 (1 1/4") | 110 | 88,4 | 52,8 | 16 | 24,4 | 32 | 205 | 14 | F05 | 50 | 4 x 9 | 70 | F07 | 4 x 7 | 1000 WOG | 1.80 |
| DN040 (1 1/2") | 120 | 94,1 | 58,5 | 16 | 24,4 | 38 | 205 | 14 | F05 | 50 | 4 x 9 | 70 | F07 | 4 x 7 | 1000 WOG | 2.50 |
| DN050 (2") | 140 | 101,6 | 66 | 16 | 24,4 | 50 | 205 | 14 | F05 | 50 | 4 x 9 | 70 | F07 | 4 x 7 | 1000 WOG | 3.70 |

| Item 1 | Item 2 | Item 3 | Item 4 |
|-----------------------------|-----------------------------|---------------|----------------------------|
| Body Material | Ball Material | Seat Material | Actuator Material |
| Stainless steel : A351 CF8M | Stainless steel : A351 CF8M | PTFE | Stainless steel : AISI 304 |