

# Technical Product Sheet

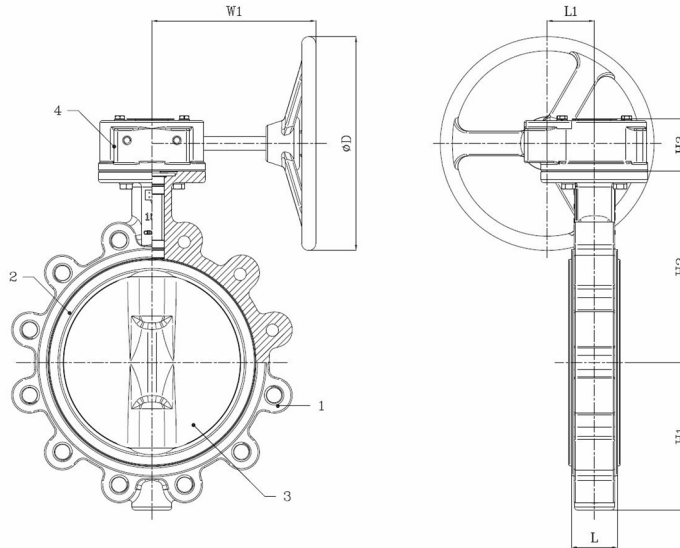
## BV12-2466E-PN10 - Gearbox

Lug type butterfly valve, mounting between flanges PN10, with gearbox

Face to Face Standard: EN 558-1 Table 1 series 20



Item Number	Belven Ref.
121026E3200	BV12-2466E-PN10-DN200 - GEARBOX
121026E3250	BV12-2466E-PN10-DN250 - GEARBOX
121026E3300	BV12-2466E-PN10-DN300 - GEARBOX



DN/Size	L	H1	H2	H3	L1	D	W1	Press.Cl.	Weight(kg)
DN200 (8")	60	168	237	80,5	63	300	237	PN10	26.50
DN250 (10")	68	207	268,3	80,5	63	300	237	PN10	36.50
DN300 (12")	78	243,5	308,5	80,5	78	300	225	PN10	67.00

Item 1	Item 2	Item 3	Item 4
<b>Body Material</b>	<b>Seat Material</b>	<b>Disc Material</b>	<b>Actuator Material</b>
Ductile iron : GGG40 + Epoxy coating	EPDM	Stainless steel : CF8M	Cast iron