

Technical Product Sheet

BV4S-4766T-PN10/PN16 - Single Acting (AFC)

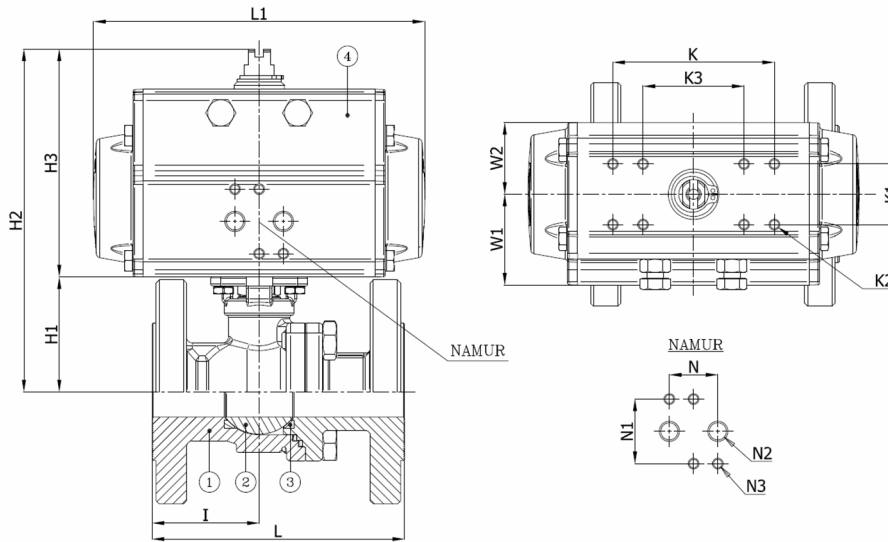
Ball valve, full bore, split body, flanged PN10/PN16, with spring return actuator AFC

Face to Face Standard: EN 558-1 series 27

The actuator is selected for 25°C water with a pressure drop of 16 bar with 6 bar supply air pressure and minimum 1 cycle per week, at air pressure failure the springs will put the valve in closed position



Item Number	Belven Ref.
04S3D07SR2065	BV4S-4766T-PN16-DN065 - SR100
04S3D07SR2080	BV4S-4766T-PN16-DN080 - SR115
04S3D07SR2100	BV4S-4766T-PN16-DN100 - SR125



DN/Size	L	H1	H2	H3	I	L1	W1	W2	K	K3	K1	K2	N	N1	N2	N3	Press.Cl.	Weight(kg)
DN065 (2 1/2")	170	111	268,8	157,8	63	275	68	55	80		30	M5	24	32	1/4"	M5	PN16	20.20
DN080 (3")	180	120	312,4	192,4	75,5	333	73	64	80	130	30	M5	24	32	1/4"	M5	PN16	28.65
DN100 (4")	190	134,5	338,9	204,4	80	372	80	68	80	130	30	M5	24	32	1/4"	M5	PN16	37.48

Item 1	Item 2	Item 3	Item 4
Body Material	Ball Material	Seat Material	Actuator Material
Low-temperature steel : 1.1156 (LCB)	Stainless steel : A182-F304/A351-CF8	PTFE	Extruded aluminium