

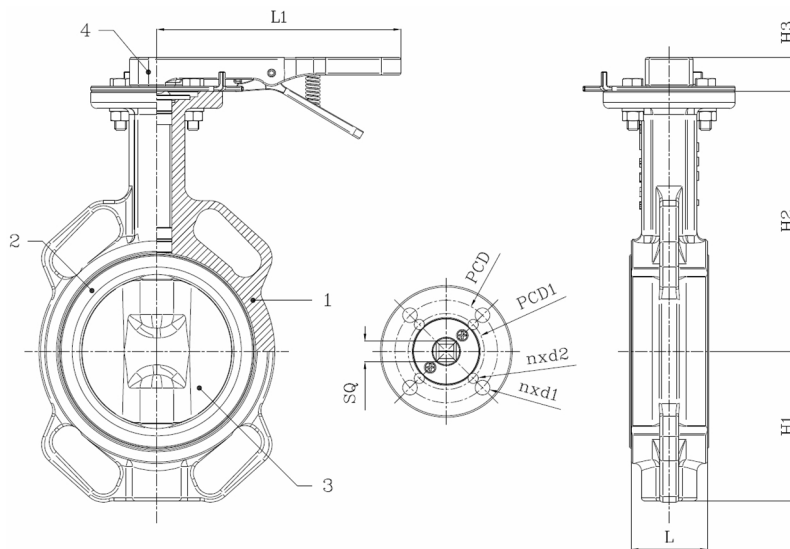
# Technical Product Sheet

## BV10-2325E-PN10/PN16/A150 - Short Lever

Wafer type butterfly valve, mounting between flanges PN6/PN10/PN16/A150, with short lever  
Face to Face Standard: EN 558-1 Table 1 series 20



Item Number	Belven Ref.
101023E2050	BV10-2325E-PN16-DN050 - SHORT LEVER
101023E2065	BV10-2325E-PN16-DN065 - SHORT LEVER
101023E2080	BV10-2325E-PN16-DN080 - SHORT LEVER
101023E2100	BV10-2325E-PN16-DN100 - SHORT LEVER
101023E2125	BV10-2325E-PN16-DN125 - SHORT LEVER
101023E2150	BV10-2325E-PN16-DN150 - SHORT LEVER



DN/Size	L	H1	H2	H3	L1	SQ	ISO	PCD	n x d1	PCD1	n x d2	Press.Cl.	Weight(kg)
DN050 (2")	43	71,4	142,7	22	165	11	F05/F07	70	4 x d10	50	4 x d7	PN16	3.00
DN065 (2 1/2")	46	77,8	155,4	22	165	11	F05/F07	70	4 x d10	50	4 x d7	PN16	3.70
DN080 (3")	46	89	161,8	22	165	11	F05/F07	70	4 x d10	50	4 x d7	PN16	4.10
DN100 (4")	52	102	178	22	165	14	F07	70	4 x d10			PN16	5.20
DN125 (5")	56	123	190,5	22	165	14	F07	70	4 x d10			PN16	7.10
DN150 (6")	56	138	205,2	22	165	14	F07	70	4 x d10			PN16	8.20

Item 1	Item 2	Item 3	Item 4
Body Material	Seat Material	Disc Material	Actuator Material
Cast iron : GG25 + Epoxy coating	EPDM	Nickel plated : GGG40 + Ni	malleable iron