

Technical Product Sheet

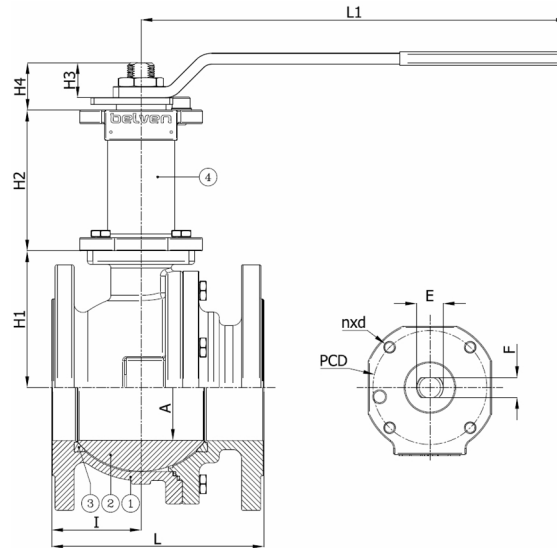


BV4-4466T-PN10/PN16/PN40 - DSTE with Lever

Ball valve, full bore, split body, flanged PN10/PN16/PN40, incl. stainless steel stem extension with protective tube and lever
Face to Face Standard: EN 558-1 series 27



Item Number	Belven Ref.
043D57DSTE1015	BV4-4466T-PN40-DN015 - DSTE-LEVER
043D57DSTE1020	BV4-4466T-PN40-DN020 - DSTE-LEVER
043D57DSTE1025	BV4-4466T-PN40-DN025 - DSTE-LEVER
043D57DSTE1032	BV4-4466T-PN40-DN032 - DSTE-LEVER
043D57DSTE1040	BV4-4466T-PN40-DN040 - DSTE-LEVER
043D57DSTE1050	BV4-4466T-PN40-DN050 - DSTE-LEVER



DN/Size	L	H1	H2	H3	H4	A	I	L1	E	F	ISO	PCD	n x d	Press.Cl.	Weight(kg)
DN015 (1/2")	115	33	110	8	51,5	15	49	131	M10	7	F04	42	4 x M5	PN40	3.40
DN020 (3/4")	120	37	110	8	51	19	51	131	M10	7	F04	42	4 x M5	PN40	4.00
DN025 (1")	125	45	113	13	37	25	54	174	M12	8	F05	50	4 x M6	PN40	5.30
DN032 (1 1/4")	130	48,5	113	13	37	30	55	174	M12	8	F05	50	4 x M6	PN40	6.90
DN040 (1 1/2")	140	77	113	10	44,1	38	51,5	250	M16	10	F05	50	4 x M6	PN40	9.10
DN050 (2")	150	83,5	121	18	51,8	50,2	57,5	321	M20	14	F07	70	4 x M8	PN40	13.20

Item 1	Item 2	Item 3	Item 4
Body Material	Ball Material	Seat Material	Actuator Material
Carbon steel : 1.0619 (WCB)	Stainless steel : A182-F304 / A351-CF8	PTFE	stainless steel AISI 316

Belven N.V.

Blokhuisstraat 24 | 2800 Mechelen | Belgium
Tel. 015 29 40 70 | Fax. 015 20 14 13 | info@belven.com | www.belven.com

We keep the right to change the mentioned dimensions, weights, values and materials at any time without prior or direct notice.