

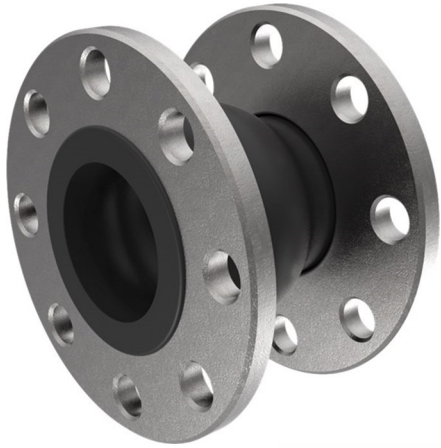
Technical Product Sheet



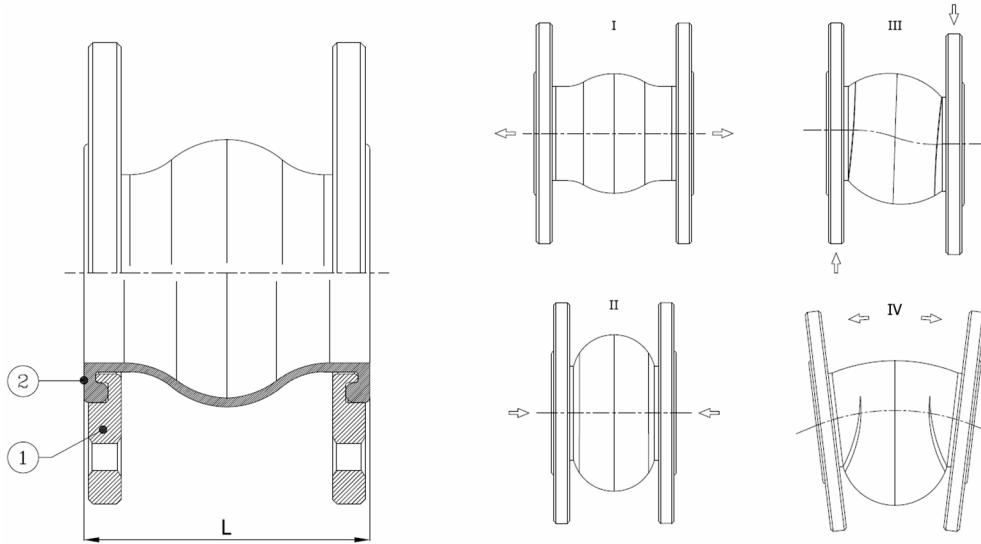
BV18-44E-PN16

Flexible expansion joint with rubber bellow, flanged PN16

Face to Face Standard: Factory standard



Item Number	Belven Ref.
183433B0200	BV18-44E-PN16-DN200
183433B0250	BV18-44E-PN16-DN250
183433B0300	BV18-44E-PN16-DN300



DN/Size	L	I - Ax. Elong.	II - Ax. Compr.	III - Lat. Defl.	IV - Ang. Defl.	Press.Cl.	Weight(kg)
DN200 (8")	205	16	25	22	15	PN16	20.00
DN250 (10")	230	16	25	22	15	PN16	29.20
DN300 (12")	245	16	25	22	15	PN16	37.70

Item 1	Item 2
Carbon steel	EPDM
Carbon steel	EPDM

Belven N.V.

Blokhuisstraat 24 | 2800 Mechelen | Belgium

Tel. 015 29 40 70 | Fax. 015 20 14 13 | info@belven.com | www.belven.com

We keep the right to change the mentioned dimensions, weights, values and materials at any time without prior or direct notice.