

Technical Product Sheet

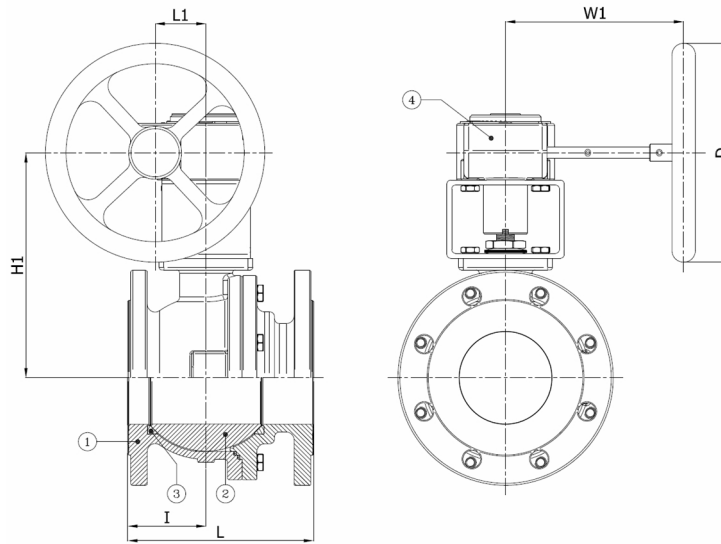
BV4-6666T-A150 - Aluminium Gearbox

Ball valve, full bore, split body, flanged ANSI 150lbs, with Rotork gearbox

Face to Face Standard: ANSI B16.10



| Item Number | Belven Ref. |
|-------------|--------------------------------|
| 047A77F5015 | BV4-6666T-A150-DN015 - GEARBOX |
| 047A77F5020 | BV4-6666T-A150-DN020 - GEARBOX |
| 047A77F5025 | BV4-6666T-A150-DN025 - GEARBOX |
| 047A77F5040 | BV4-6666T-A150-DN040 - GEARBOX |
| 047A77F5050 | BV4-6666T-A150-DN050 - GEARBOX |
| 047A77F5080 | BV4-6666T-A150-DN080 - GEARBOX |
| 047A77F5100 | BV4-6666T-A150-DN100 - GEARBOX |
| 047A77F5150 | BV4-6666T-A150-DN150 - GEARBOX |
| 047A77F5200 | BV4-6666T-A150-DN200 - GEARBOX |



| DN/Size | L | H1 | I | L1 | W1 | D | Press.Cl. | Weight(kg) |
|----------------|-----|-----|------|----|-----|-----|-----------|------------|
| DN015 (1/2") | 108 | 110 | 46,5 | 45 | 119 | 100 | A150 | 4.20 |
| DN020 (3/4") | 117 | 115 | 53 | 45 | 119 | 100 | A150 | 4.70 |
| DN025 (1") | 127 | 132 | 59,5 | 45 | 119 | 100 | A150 | 6.10 |
| DN040 (1 1/2") | 165 | 164 | 77 | 46 | 166 | 125 | A150 | 9.50 |
| DN050 (2") | 178 | 169 | 86 | 46 | 166 | 125 | A150 | 15.30 |
| DN080 (3") | 203 | 217 | 79,5 | 52 | 194 | 224 | A150 | 25.80 |
| DN100 (4") | 229 | 230 | 110 | 52 | 194 | 224 | A150 | 34.30 |
| DN150 (6") | 394 | 315 | 181 | 65 | 236 | 256 | A150 | 86.50 |
| DN200 (8") | 457 | 360 | 212 | 80 | 376 | 400 | A150 | 131.50 |

| Item 1 | Item 2 | Item 3 | Item 4 |
|-----------------------------|---|---------------|-------------------|
| Body Material | Ball Material | Seat Material | Actuator Material |
| Stainless steel : A351-CF8M | Stainless steel : A182-F316 / A351-CF8M | PTFE | Aluminium |

Belven N.V.

Blokhuisstraat 24 | 2800 Mechelen | Belgium
 Tel. 015 29 40 70 | Fax. 015 20 14 13 | info@belven.com | www.belven.com

We keep the right to change the mentioned dimensions, weights, values and materials at any time without prior or direct notice.