

Technical Product Sheet

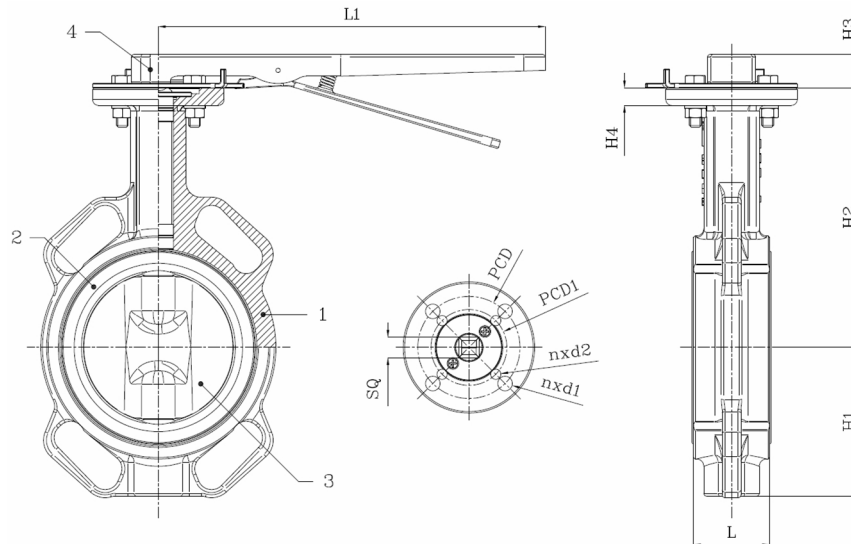
BV10-2366B-PN10/PN16/A150 - Lever

Wafer type butterfly valve, mounting between flanges PN10/PN16/A150, with lever

Face to Face Standard: EN 558-1 Table 1 series 20



Item Number	Belven Ref.
101026B1050	BV10-2366B-PN16-DN050 - LEVER
101026B1065	BV10-2366B-PN16-DN065 - LEVER
101026B1080	BV10-2366B-PN16-DN080 - LEVER
101026B1100	BV10-2366B-PN16-DN100 - LEVER
101026B1125	BV10-2366B-PN16-DN125 - LEVER
101026B1150	BV10-2366B-PN16-DN150 - LEVER
101026B1200	BV10-2366B-PN16-DN200 - LEVER
101026B1250	BV10-2366B-PN16-DN250 - LEVER
101026B1300	BV10-2366B-PN16-DN300 - LEVER



DN/Size	L	H1	H2	H3	H4	L1	SQ	ISO	PCD	n x d1	PCD1	n x d2	Press.Cl.	Weight(kg)
DN050 (2")	43	71,4	142,7	22	12	266	11	F05/F07	70	4 x d10	50	4 x d7	PN16	3.30
DN065 (2 1/2")	46	77,8	155,4	22	12	266	11	F05/F07	70	4 x d10	50	4 x d7	PN16	3.80
DN080 (3")	46	89	161,8	22	12	266	11	F05/F07	70	4 x d10	50	4 x d7	PN16	4.10
DN100 (4")	52	102	178	22	12	266	14	F07	70	4 x d10			PN16	5.20
DN125 (5")	56	123	190,5	22	12	266	14	F07	70	4 x d10			PN16	7.10
DN150 (6")	56	138	205,2	22	12	266	14	F07	70	4 x d10			PN16	8.50
DN200 (8")	60	168	237	34,5	16	356	17	F10	102	4 x d12			PN16	16.00
DN250 (10")	68	207	268,3	34,5	16	356	22	F10	102	4 x d12			PN16	21.00
DN300 (12")	78	243,5	308,5	34,5	16	356	27	F12	125	4 x d14			PN16	31.00

Item 1	Item 2	Item 3	Item 4
Body Material	Seat Material	Disc Material	Actuator Material
Cast iron : GG25 + Epoxy coating	NBR	Stainless steel : CF8M	malleable iron

Belven N.V.

Blokhuisstraat 24 | 2800 Mechelen | Belgium

Tel. 015 29 40 70 | Fax. 015 20 14 13 | info@belven.com | www.belven.com

We keep the right to change the mentioned dimensions, weights, values and materials at any time without prior or direct notice.