

Technical Product Sheet

BV12S-2466WB-PN10/PN16 - Lever

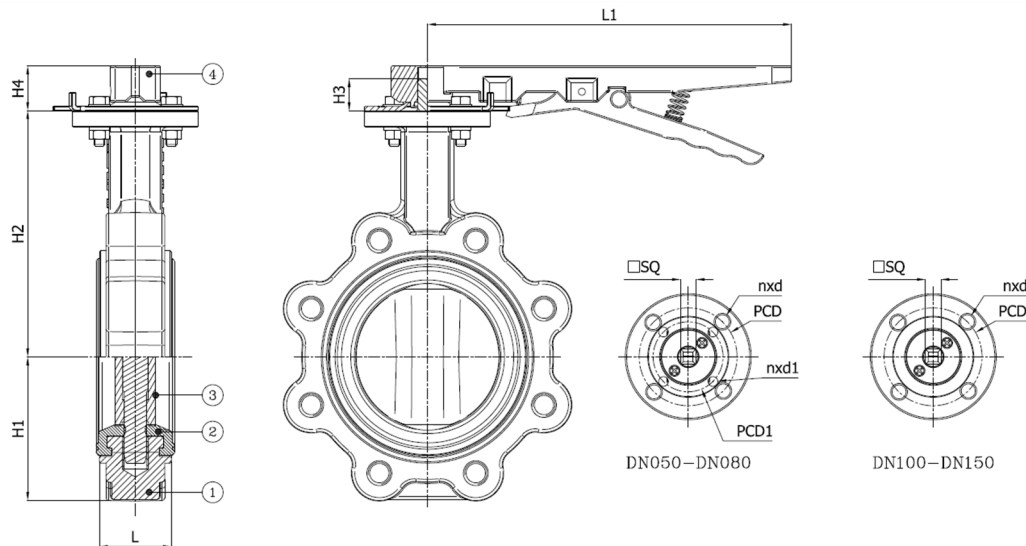
Lug type butterfly valve, mounting between flanges PN10/PN16, with lockable lever

Face to Face Standard: EN 558-1 Table 1 series 20

Seat made of white NBR, suitable for food applications, max. operating pressure 10 bar up to DN150, 6 bar for DN200 and larger, -10°C to 90°C



Item Number	Belven Ref.
12S003047WB10050	BV12S-2466WB-PN16-DN050 - LEVER
12S003047WB10065	BV12S-2466WB-PN16-DN065 - LEVER
12S003047WB10080	BV12S-2466WB-PN16-DN080 - LEVER
12S003047WB10100	BV12S-2466WB-PN16-DN100 - LEVER
12S003047WB10125	BV12S-2466WB-PN16-DN125 - LEVER
12S003047WB10150	BV12S-2466WB-PN16-DN150 - LEVER



DN/Size	L	H1	H2	H3	H4	L1	SQ	ISO	PCD	n x d1	PCD1	ISO1	n x d	Press.Cl.	Weight(kg)
DN050 (2")	43	64	140,5	22	29	260	11	F05	50	4 x d10	70	F07	4 x d7	10 bar	4.70
DN065 (2 1/2")	46	71,4	152,5	22	29	260	11	F05	50	4 x d10	70	F07	4 x d7	10 bar	5.20
DN080 (3")	46	94	157,5	22	29	260	11	F05	50	4 x d10	70	F07	4 x d7	10 bar	6.90
DN100 (4")	52	108,5	176	22	29	260	14	F07	70	4 x d10				10 bar	8.50
DN125 (5")	56	119	191	22	29	260	14	F07	70	4 x d10				10 bar	12.00
DN150 (6")	56	136	202,5	22	29	260	14	F07	70	4 x d10				10 bar	12.70

Item 1	Item 2	Item 3	Item 4
Body Material	Seat Material	Disc Material	Actuator Material
Ductile iron : GGG40 + Epoxy coating	White NBR	Stainless steel : CF8M	Malleable iron