

# Technical Product Sheet

## BV4-4766T-PN16 - Single Acting (AFC)

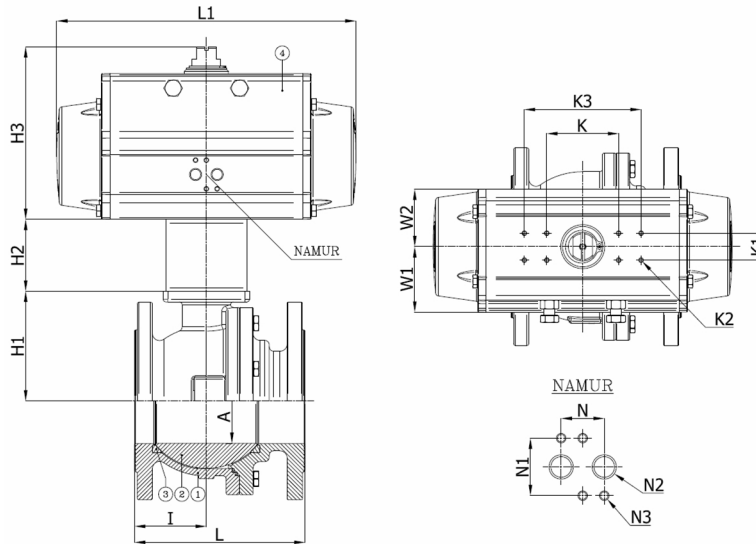
Ball valve, full bore, split body, flanged PN16, with spring return actuator AFC

Face to Face Standard: EN 558-1 series 27

The actuator is selected for 25°C water with a pressure drop of 16 bar with 6 bar supply air pressure and minimum 1 cycle per week, at air pressure failure the springs will put the valve in closed position



Item Number	Belven Ref.
043D07SA1065	BV4-4766T-PN16-DN065 - SR100
043D07SA1080	BV4-4766T-PN16-DN080 - SR115
043D07SA1100	BV4-4766T-PN16-DN100 - SR115
043D07SA1125	BV4-4766T-PN16-DN125 - SR125
043D07SA1150	BV4-4766T-PN16-DN150 - SR160
043D07SA1200	BV4-4766T-PN16-DN200 - SR200



DN/Size	L	H1	H2	H3	A	I	L1	W1	W2	K	K3	K1	N	N1	N2	N3	Press.Cl.	Weight(kg)
DN065 (2 1/2")	170	93,5	60	157,8	64	61	275	68	55	80		30	24	32	1/4"	M5	PN16	23.50
DN080 (3")	180	108	80	192,4	76	75,5	333	73	64	80	130	30	24	32	1/4"	M5	PN16	31.00
DN100 (4")	190	122	80	192,4	95	80	333	73	64	80	130	30	24	32	1/4"	M5	PN16	38.60
DN125 (5")	325	144	80	204,4	125	149	372	80	68	80	130	30	24	32	1/4"	M5	PN16	62.60
DN150 (6")	350	177	100	251	150	157	500	99	87	80	130	30	24	32	1/4"	M5	PN16	105.50
DN200 (8")	400	220	100	308	200	190	578,5	109	108	80	130	30	24	32	1/4"	M5	PN16	190.00

Item 1	Item 2	Item 3	Item 4
Body Material	Ball Material	Seat Material	Actuator Material
Low-temperature steel : 1.1156 (LCB)	Stainless steel : A182-F304 / A351-CF8	PTFE	Extruded aluminium