

Technical Product Sheet

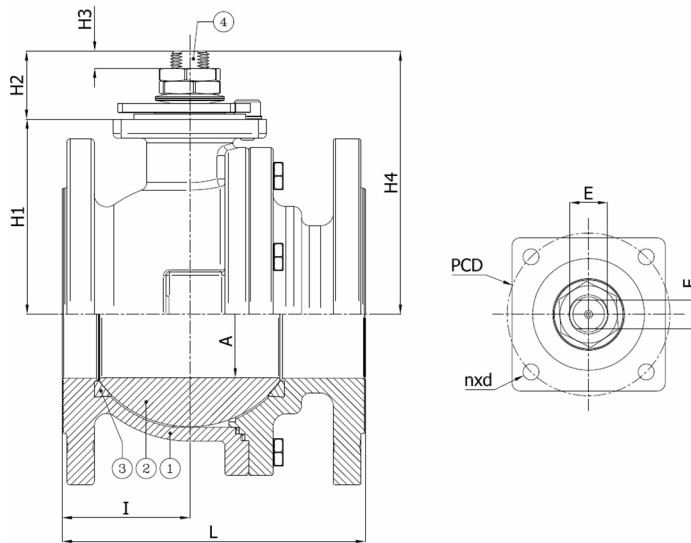
BV4-6666T-PN16 - Bare Shaft

Ball valve, full bore, split body, flanged PN16, bare shaft

Face to Face Standard: EN 558-1 series 27



Item Number	Belven Ref.
043D77F0065	BV4-6666T-PN16-DN065 - BARE SHAFT
043D77F0080	BV4-6666T-PN16-DN080 - BARE SHAFT
043D77F0100	BV4-6666T-PN16-DN100 - BARE SHAFT
043D77F0125	BV4-6666T-PN16-DN125 - BARE SHAFT
043D77F0150	BV4-6666T-PN16-DN150 - BARE SHAFT
043D77F0200	BV4-6666T-PN16-DN200 - BARE SHAFT



DN/Size	L	H1	H2	H3	H4	A	I	Press.Cl.	Weight(kg)
DN65 (2 1/2")	170	93,5	39,5	18	133	64	61	PN16	15.50
DN80 (3")	180	108	43	18	151	76	75,5	PN16	18.50
DN100 (4")	190	122	43	18	165	95	80	PN16	26.00
DN125 (5")	325	144	43	18	187	125	149	PN16	46.00
DN150 (6")	350	177	68	27,5	245	150	157	PN16	72.00
DN200 (8")	400	220	68	27,5	288	200	190	PN16	130.00

Item 1	Item 2	Item 3	Item 4
Body Material	Ball Material	Seat Material	Actuator Material
Stainless steel : 1.4408 (CF8M)	Stainless steel : A182-F316 / A351-CF8M	PTFE	SS Stem A182-F316

Belven N.V.

Blokhuisstraat 24 | 2800 Mechelen | Belgium

Tel. 015 29 40 70 | Fax. 015 20 14 13 | info@belven.com | www.belven.com

We keep the right to change the mentioned dimensions, weights, values and materials at any time without prior or direct notice.