

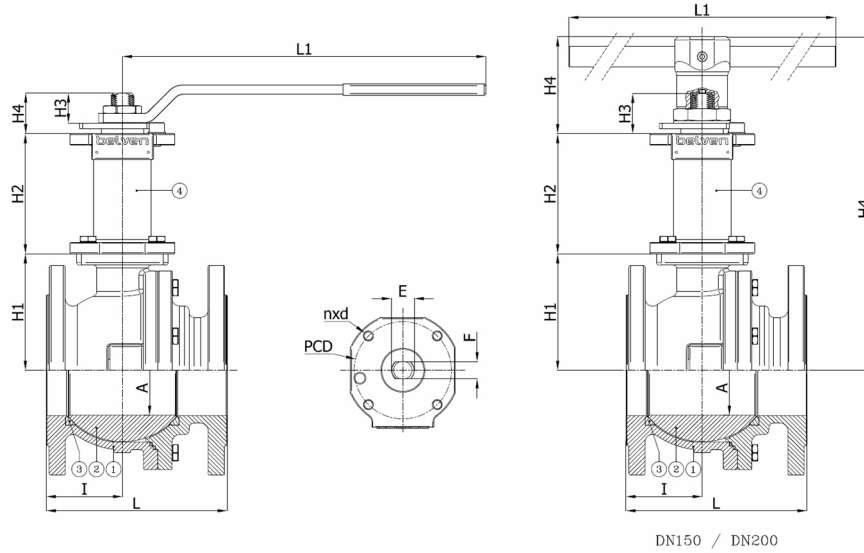
Technical Product Sheet

BV4-4766T-A150 - DSTE with Lever

Ball valve, full bore, split body, flanged ANSI 150lbs, incl. stainless steel stem extension with protective tube and lever
Face to Face Standard: ANSI B16.10



| Item Number | Belven Ref. |
|----------------|-----------------------------------|
| 047A07DSTE1015 | BV4-4766T-A150-DN015 - DSTE-LEVER |
| 047A07DSTE1020 | BV4-4766T-A150-DN020 - DSTE-LEVER |
| 047A07DSTE1025 | BV4-4766T-A150-DN025 - DSTE-LEVER |
| 047A07DSTE1040 | BV4-4766T-A150-DN040 - DSTE-LEVER |
| 047A07DSTE1050 | BV4-4766T-A150-DN050 - DSTE-LEVER |
| 047A07DSTE1080 | BV4-4766T-A150-DN080 - DSTE-LEVER |
| 047A07DSTE1100 | BV4-4766T-A150-DN100 - DSTE-LEVER |
| 047A07DSTE1150 | BV4-4766T-A150-DN150 - DSTE-LEVER |
| 047A07DSTE1200 | BV4-4766T-A150-DN200 - DSTE-LEVER |



DN150 / DN200

| DN/Size | L | H1 | H2 | H3 | H4 | I | L1 | E | F | ISO | PCD | n x d | Press.Cl. | Weight(kg) |
|----------------|-----|------|-----|------|-------|------|-----|-----|----|-----|-----|---------|-----------|------------|
| DN015 (1/2") | 108 | 33 | 110 | 8 | 51,5 | 46,5 | 131 | M10 | 7 | F04 | 42 | 4 x M5 | A150 | 2.80 |
| DN020 (3/4") | 117 | 37 | 110 | 8 | 51 | 53 | 131 | M10 | 7 | F04 | 42 | 4 x M5 | A150 | 3.30 |
| DN025 (1") | 127 | 45 | 113 | 13 | 37 | 59,5 | 174 | M12 | 8 | F05 | 50 | 4 x M6 | A150 | 4.80 |
| DN040 (1 1/2") | 165 | 77 | 113 | 10 | 44,1 | 77 | 250 | M16 | 10 | F05 | 50 | 4 x M6 | A150 | 8.10 |
| DN050 (2") | 178 | 83,5 | 121 | 18 | 51,8 | 86 | 321 | M20 | 14 | F07 | 70 | 4 x M8 | A150 | 12.70 |
| DN080 (3") | 203 | 108 | 126 | 18 | 52,7 | 79,5 | 381 | M24 | 18 | F10 | 102 | 4 x M10 | A150 | 24.10 |
| DN100 (4") | 229 | 122 | 126 | 18 | 52,7 | 110 | 381 | M24 | 18 | F10 | 102 | 4 x M10 | A150 | 32.60 |
| DN150 (6") | 394 | 177 | 145 | 27,5 | 120,5 | 181 | 700 | M42 | 30 | F12 | 125 | 4 x M12 | A150 | 86.00 |
| DN200 (8") | 457 | 220 | 145 | 27,5 | 120,5 | 212 | 700 | M42 | 30 | F12 | 125 | 4 x M12 | A150 | 161.00 |

| Item 1 | Item 2 | Item 3 | Item 4 |
|----------------------------------|--|---------------|--------------------------|
| Body Material | Ball Material | Seat Material | Actuator Material |
| Low-temperature steel : A352 LCB | Stainless steel : A182-F304 / A351-CF8 | PTFE | stainless steel AISI 316 |

Belven N.V.

Blokhuisstraat 24 | 2800 Mechelen | Belgium
Tel. 015 29 40 70 | Fax. 015 20 14 13 | info@belven.com | www.belven.com

We keep the right to change the mentioned dimensions, weights, values and materials at any time without prior or direct notice.