

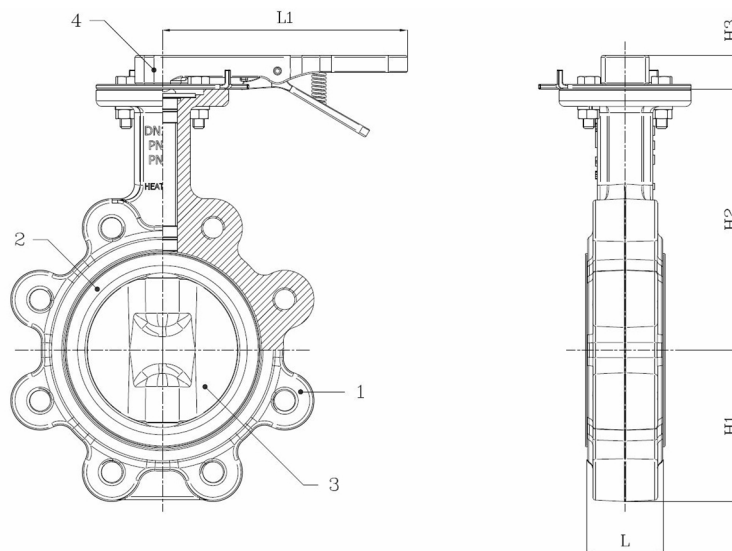
# Technical Product Sheet

## BV12-2466E-PN10/PN16 - Short Lever

Lug type butterfly valve, mounting between flanges PN10/PN16, with short lever  
Face to Face Standard: EN 558-1 Table 1 series 20



Item Number	Belven Ref.
121026E2050	BV12-2466E-PN16-DN050 - SHORT LEVER
121026E2065	BV12-2466E-PN16-DN065 - SHORT LEVER
121026E2080	BV12-2466E-PN16-DN080 - SHORT LEVER
121026E2100	BV12-2466E-PN16-DN100 - SHORT LEVER
121026E2125	BV12-2466E-PN16-DN125 - SHORT LEVER
121026E2150	BV12-2466E-PN16-DN150 - SHORT LEVER



DN/Size	L	H1	H2	H3	L1	Press.Cl.	Weight(kg)
DN050 (2")	43	71,4	142,7	22	165	PN16	3.70
DN065 (2 1/2")	46	77,8	155,4	22	165	PN16	4.50
DN080 (3")	46	89	161,8	22	165	PN16	5.30
DN100 (4")	52	102	178	22	165	PN16	7.80
DN125 (5")	56	123	190,5	22	165	PN16	9.80
DN150 (6")	56	138	205,2	22	165	PN16	11.20

Item 1	Item 2	Item 3	Item 4
Body Material	Seat Material	Disc Material	Actuator Material
Ductile iron : GGG40 + Epoxy coating	EPDM	Stainless steel : CF8M	malleable iron

Belven N.V.

Blokhuisstraat 24 | 2800 Mechelen | Belgium  
Tel. 015 29 40 70 | Fax. 015 20 14 13 | info@belven.com | www.belven.com

We keep the right to change the mentioned dimensions, weights, values and materials at any time without prior or direct notice.