

# Technical Product Sheet

## BV10S-2366WE-PN10/PN16/A150 - Lever

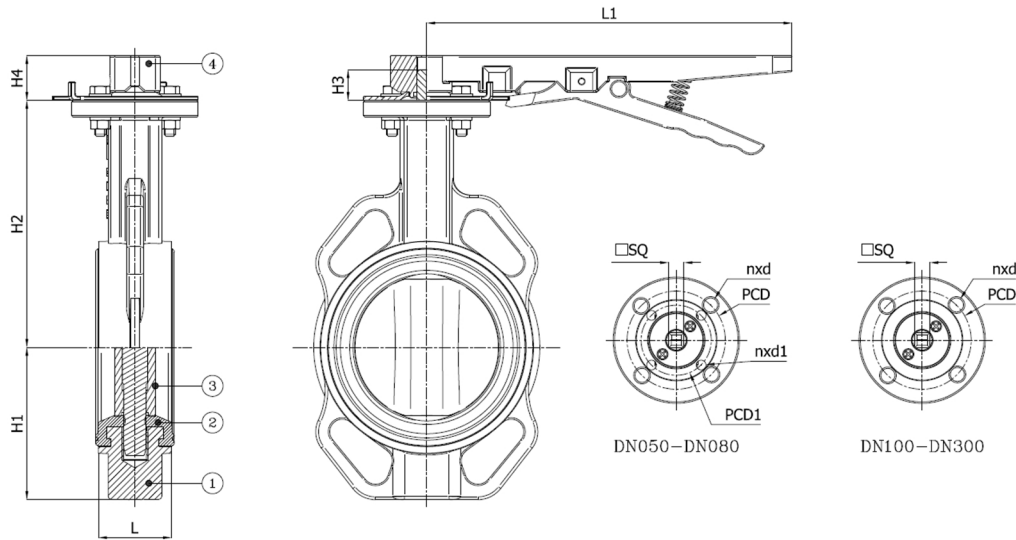
Wafer type butterfly valve, mounting between flanges PN10/PN16/A150, with lockable lever

Face to Face Standard: EN 558-1 Table 1 series 20

Seat made of white EPDM, suitable for food applications, max. operating pressure 10 bar up to DN150, 6 bar for DN200 and larger, -10°C to 90°C



| Item Number      | Belven Ref.                     |
|------------------|---------------------------------|
| 10S003037WE10050 | BV10S-2366WE-PN16-DN050 - LEVER |
| 10S003037WE10065 | BV10S-2366WE-PN16-DN065 - LEVER |
| 10S003037WE10080 | BV10S-2366WE-PN16-DN080 - LEVER |
| 10S003037WE10100 | BV10S-2366WE-PN16-DN100 - LEVER |
| 10S003037WE10125 | BV10S-2366WE-PN16-DN125 - LEVER |
| 10S003037WE10150 | BV10S-2366WE-PN16-DN150 - LEVER |
| 10S003037WE10200 | BV10S-2366WE-PN16-DN200 - LEVER |
| 10S003037WE10250 | BV10S-2366WE-PN16-DN250 - LEVER |
| 10S003037WE10300 | BV10S-2366WE-PN16-DN300 - LEVER |



| DN/Size        | L  | H1    | H2    | H3   | H4 | L1  | SQ | ISO | PCD | n x d1  | PCD1 | ISO1 | n x d  | Press.Cl. | Weight(kg) |
|----------------|----|-------|-------|------|----|-----|----|-----|-----|---------|------|------|--------|-----------|------------|
| DN050 (2")     | 43 | 64    | 140,5 | 22   | 29 | 260 | 11 | F05 | 50  | 4 x d10 | 70   | F07  | 4 x d7 | 10 bar    | 4.00       |
| DN065 (2 1/2") | 46 | 71,4  | 152,5 | 22   | 29 | 260 | 11 | F05 | 50  | 4 x d10 | 70   | F07  | 4 x d7 | 10 bar    | 4.70       |
| DN080 (3")     | 46 | 94    | 157,5 | 22   | 29 | 260 | 11 | F05 | 50  | 4 x d10 | 70   | F07  | 4 x d7 | 10 bar    | 5.10       |
| DN100 (4")     | 52 | 108,5 | 176   | 22   | 29 | 260 | 14 | F07 | 70  | 4 x d10 |      |      |        | 10 bar    | 6.60       |
| DN125 (5")     | 56 | 119   | 191   | 22   | 29 | 260 | 14 | F07 | 70  | 4 x d10 |      |      |        | 10 bar    | 8.40       |
| DN150 (6")     | 56 | 136   | 202,5 | 22   | 29 | 260 | 14 | F07 | 70  | 4 x d10 |      |      |        | 10 bar    | 9.90       |
| DN200 (8")     | 60 | 165   | 243,5 | 34,5 | 45 | 350 | 17 | F10 | 102 | 4 x d12 |      |      |        | 6 bar     | 18.50      |
| DN250 (10")    | 68 | 202   | 273   | 34,5 | 45 | 350 | 22 | F10 | 102 | 4 x d12 |      |      |        | 6 bar     | 25.00      |
| DN300 (12")    | 78 | 235   | 311   | 34,5 | 45 | 350 | 27 | F12 | 125 | 4 x d14 |      |      |        | 6 bar     | 36.00      |

| Item 1                           | Item 2        | Item 3                 | Item 4            |
|----------------------------------|---------------|------------------------|-------------------|
| Body Material                    | Seat Material | Disc Material          | Actuator Material |
| Cast iron : GG25 + Epoxy coating | White EPDM    | Stainless steel : CF8M | Malleable iron    |

Belven N.V.

Blokhuisstraat 24 | 2800 Mechelen | Belgium

Tel. 015 29 40 70 | Fax. 015 20 14 13 | info@belven.com | www.belven.com

We keep the right to change the mentioned dimensions, weights, values and materials at any time without prior or direct notice.