

# Technical Product Sheet

## BV12S-GAS-2425NG-PN16 - Gearbox DVGW

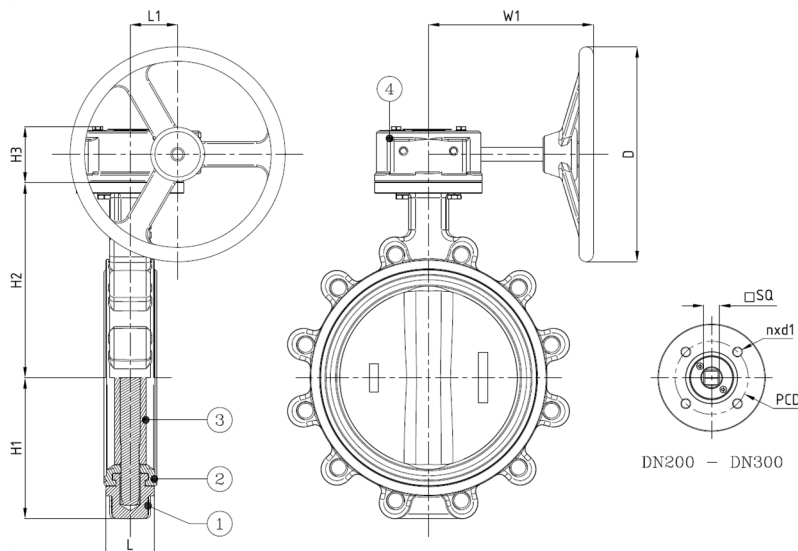
### approved

Lug type butterfly valve, mounting between flanges PN16, with gearbox, DVGW Gas approved acc. EN 13774:2013  
Face to Face Standard: EN 558-1 Table 1 series 20

With NBR-GAS seat acc. to EN 682



Item Number	Belven Ref.
12SOG3044NG30200	BV12S-GAS-2425NG-PN16-DN200 - GEARBOX
12SOG3044NG30250	BV12S-GAS-2425NG-PN16-DN250 - GEARBOX
12SOG3044NG30300	BV12S-GAS-2425NG-PN16-DN300 - GEARBOX



DN/Size	L	H1	H2	H3	H4	L1	SQ	ISO	PCD	n x d1	D	W1	Press.Cl.	Weight(kg)
DN200 (8")	60	165	243,5	80,5	45	63	17	F10	102	4 x d12	300	237	PN16	29.20
DN250 (10")	68	202	273	80,5	45	63	22	F10	102	4 x d12	300	237	PN16	40.00
DN300 (12")	78	235	311	80,5	45	63	27	F12	125	4 x d14	300	237	PN16	58.70

Item 1	Item 2	Item 3	Item 4
Body Material	Seat Material	Disc Material	Actuator Material
Ductile iron : GGG40 + Epoxy coating	NBR-GAS	Nickel plated : GGG40 + Ni	Cast iron