

Technical Product Sheet

BV39-6666M-PN10

Wafer type swing check valve with spring, mounting between flanges PN10

Face to Face Standard: Factory standard

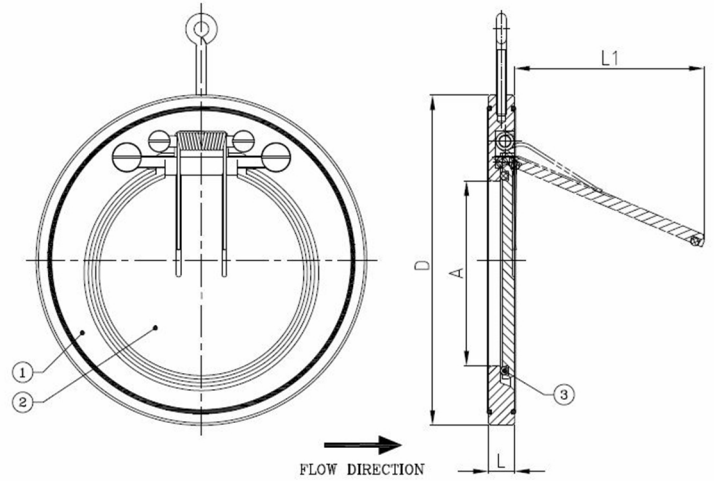
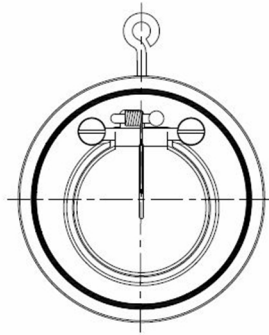
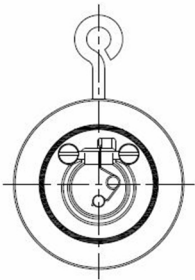


Item Number	Belven Ref.
39207700250	BV39-6666M-PN10-DN250
39207700300	BV39-6666M-PN10-DN300

DN150–DN300

DN32–DN40

DN50–DN125



DN/Size	L	D	A	L1	Press.Cl.	Weight(kg)
DN250 (10")	26	330	192	190	PN10	12.60
DN300 (12")	32	380	227	220	PN10	20.50

Item 1	Item 2	Item 3
Body Material	Disc Material	Seat Material
Stainless steel : 1.4408 (CF8M)	Stainless steel : 1.4408/1.4581 (CF8M/AISI 316Nb)	METAL