

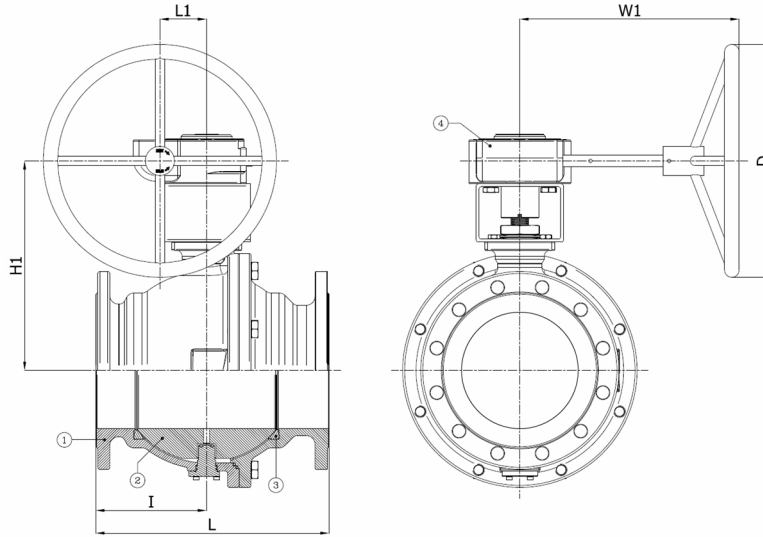
Technical Product Sheet

BV4-4466T-A150-TR - Gearbox

Ball valve, full bore, trunnion mounted, split body, flanged ANSI 150lbs, with Rotork gearbox
Face to Face Standard: ANSI B16.10



Item Number	Belven Ref.
047A57F5250TR	BV4-4466T-A150-TR-DN250 - GEARBOX
047A57F5300TR	BV4-4466T-A150-TR-DN300 - GEARBOX



DN/Size	L	H1	I	L1	W1	D	Press.Cl.	Weight(kg)
DN250 (10")	533	434	301,8	86	305	700	A150	0.00
DN300 (12")	610	471	353,8	104,5	346	700	A150	0.00

Item 1	Item 2	Item 3	Item 4
Body Material	Ball Material	Seat Material	Actuator Material
Carbon steel : A216 WCB	Stainless steel : A182-F304 / A351-CF8	PTFE	Cast Iron