

Technical Product Sheet

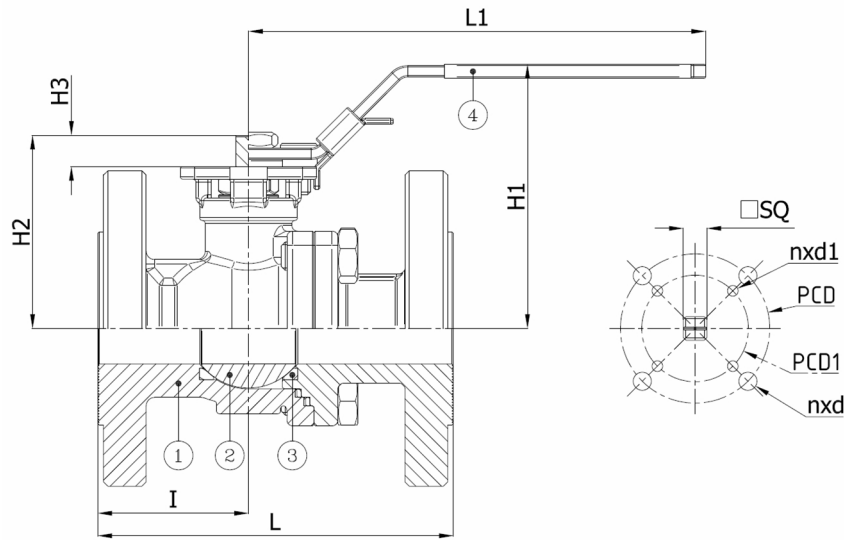
BV4S-6666T-PN10/PN16/PN40 - Lever

Ball valve, full bore, split body, flanged PN10/PN16/PN40, with lever

Face to Face Standard: EN 558-1 series 27



Item Number	Belven Ref.
04S3D77F1025	BV4S-6666T-PN40-DN025 - LEVER
04S3D77F1032	BV4S-6666T-PN40-DN032 - LEVER
04S3D77F1040	BV4S-6666T-PN40-DN040 - LEVER
04S3D77F1050	BV4S-6666T-PN40-DN050 - LEVER



DN/Size	L	H1	H2	H3	I	L1	SQ	ISO	PCD	n x d1	PCD1	n x d	Press.Cl.	Weight(kg)
DN025 (1")	125	94	69	11	53	161	9	F05	50			4 x d7	PN40	3.70
DN032 (1 1/4")	130	108	82	11	55	161	9	F05	50			4 x d7	PN40	5.00
DN040 (1 1/2")	140	119	94	14	52	241	11	F05/F07	70	4 x M6	50	4 x d8,5	PN40	6.70
DN050 (2")	150	128	103	13,5	57,5	241	11	F05/F07	70	4 x M6	50	4 x d8,5	PN40	9.30

Item 1	Item 2	Item 3	Item 4
Body Material	Ball Material	Seat Material	Actuator Material
Stainless steel : 1.4408 (CF8M)	Stainless steel : A182-F316/A351-CF8M	PTFE	Stainless steel