

# Technical Product Sheet



## BV10SA-GAS-2425NG-PN10/PN16/A150 -Gearbox

### DVGW approved

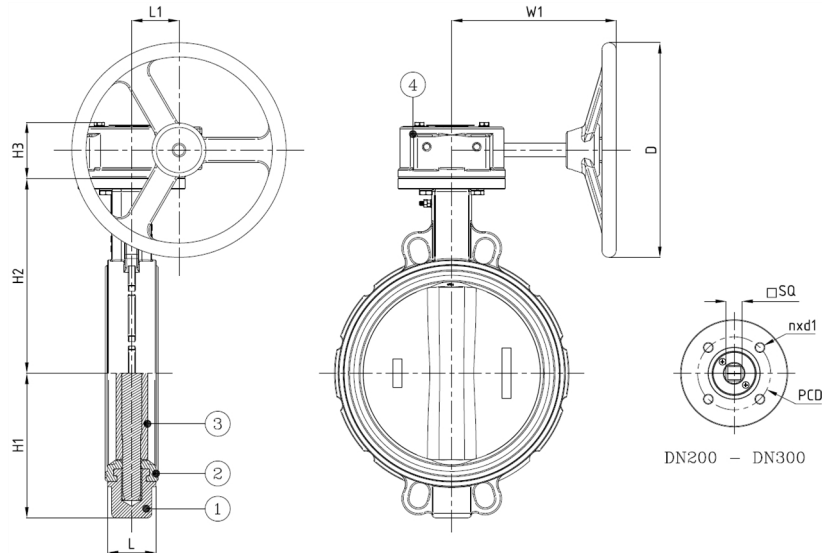
Wafer type butterfly valve, ATEX, mounting between flanges PN10/PN16/A150, with gearbox, DVGW Gas approved acc. to EN 13774:2013

Face to Face Standard: EN 558-1 Table 1 series 20

With NBR-GAS seat acc. to EN 682



Item Number	Belven Ref.
10SAG3044NG30200	BV10SA-GAS-2425NG-PN16-DN200 - GEARBOX
10SAG3044NG30250	BV10SA-GAS-2425NG-PN16-DN250 - GEARBOX
10SAG3044NG30300	BV10SA-GAS-2425NG-PN16-DN300 - GEARBOX



DN/Size	L	H1	H2	H3	L1	SQ	ISO	PCD	n x d1	D	W1	Press.Cl.	Weight(kg)
DN200 (8")	60	165	243,5	80,5	63	17	F10	102	4 x d12	300	237	PN16	25.20
DN250 (10")	68	202	273	80,5	63	22	F10	102	4 x d12	300	237	PN16	32.10
DN300 (12")	78	235	311	80,5	78	27	F12	125	4 x d14	300	225	PN16	44.70

Item 1	Item 2	Item 3	Item 4
<b>Body Material</b>	<b>Seat Material</b>	<b>Disc Material</b>	<b>Actuator Material</b>
Ductile iron : GGG40 + Epoxy coating	NBR-GAS	Nickel plated : GGG40 + Ni	Cast iron

Belven N.V.

Blokhuisstraat 24 | 2800 Mechelen | Belgium  
 Tel. 015 29 40 70 | Fax. 015 20 14 13 | info@belven.com | www.belven.com

We keep the right to change the mentioned dimensions, weights, values and materials at any time without prior or direct notice.