

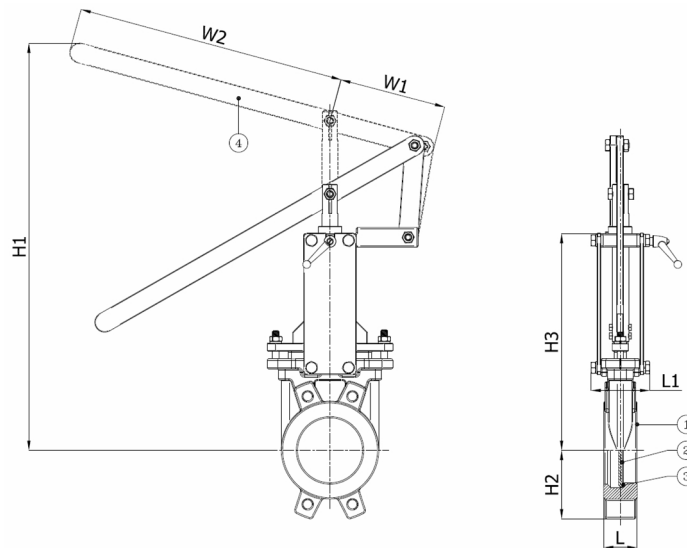
Technical Product Sheet

BV50A-2363E-PN10 - Lever

Knife gate valve, uni-directional, to be mounted between flanges PN10, with quick opening lever
Face to Face Standard: Factory standard



Item Number	Belven Ref.
50A2036E10100	BV50-2363E-PN10 DN100 - LEVER
50A2036E10150	BV50-2363E-PN10 DN150 - LEVER



DN/Size	L	H1	H2	H3	L1	W1	Press.Cl.	Weight(kg)
DN100 (4")	50	590	105	335	90	150	PN10	12.00
DN150 (6")	60	892	135	418	100	150	PN10	17.00

Item 1	Item 2	Item 3	Item 4
Body Material	Gate Material	Seat Material	Actuator Material
Cast iron : GG25 + Epoxy coating	Stainless steel : AISI 304	EPDM	Steel

Belven N.V.

Blokhuisstraat 24 | 2800 Mechelen | Belgium
Tel. 015 29 40 70 | Fax. 015 20 14 13 | info@belven.com | www.belven.com

We keep the right to change the mentioned dimensions, weights, values and materials at any time without prior or direct notice.