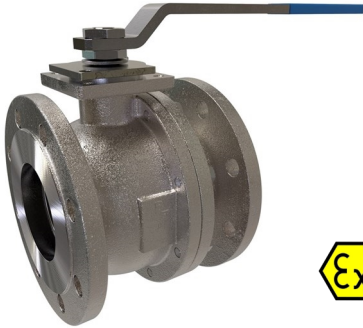


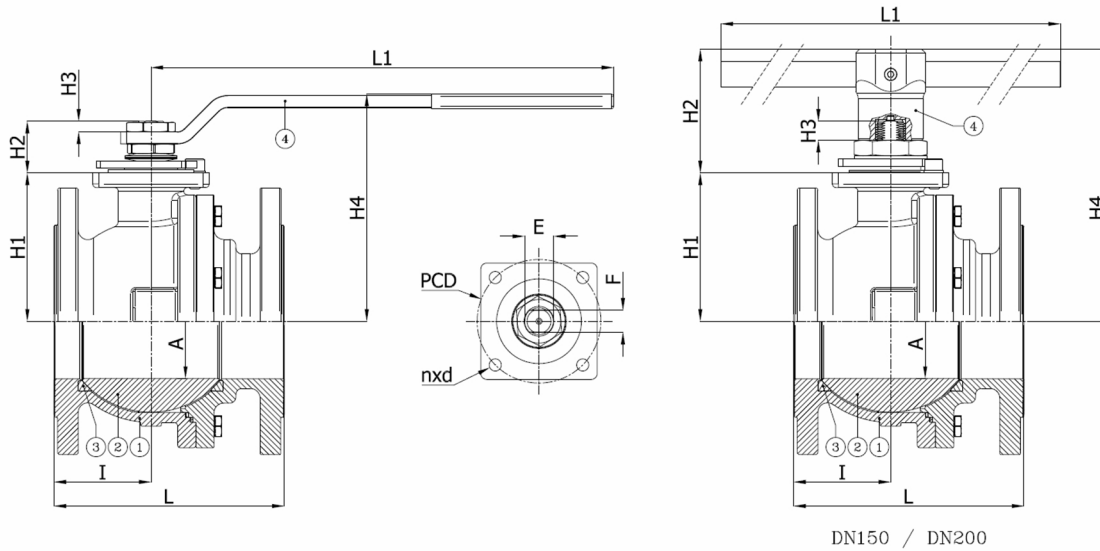
Technical Product Sheet

BV4-4766R-A300 - Lever

Ball valve, full bore, split body, flanged ANSI 300lbs, with lever
Face to Face Standard: ANSI B16.10



Item Number	Belven Ref.
048A07F1015	BV4-4766R-A300-DN015 - LEVER
048A07F1020	BV4-4766R-A300-DN020 - LEVER
048A07F1025	BV4-4766R-A300-DN025 - LEVER
048A07F1040	BV4-4766R-A300-DN040 - LEVER
048A07F1050	BV4-4766R-A300-DN050 - LEVER
048A07F1080	BV4-4766R-A300-DN080 - LEVER
048A07F1100	BV4-4766R-A300-DN100 - LEVER
048A07F1150	BV4-4766R-A300-DN150 - LEVER



DN/Size	L	H1	H2	H3	H4	I	L1	E	F	ISO	PCD	n x d	Press.Cl.	Weight(kg)
DN015 (1/2")	140	33	19	88	88	61,5	131	M10	7	F04	42	4 x M5	A300	2.50
DN020 (3/4")	152	37	19	93	93	61	131	M10	7	F04	42	4 x M5	A300	3.70
DN025 (1")	165	45	27,5	89	89	70,5	174	M12	8	F05	50	4 x M6	A300	5.50
DN040 (1 1/2")	190	77	30	133	133	78,5	250	M16	10	F05	50	4 x M6	A300	10.50
DN050 (2")	216	83,5	38,5	144	144	86	321	M20	14	F07	70	4 x M8	A300	12.20
DN080 (3")	283	108	43	18	173	81	381	M24	18	F10	102	4 x M10	A300	26.10
DN100 (4")	305	122	43	18	187	88,5	381	M24	18	F10	102	4 x M10	A300	39.10
DN150 (6")	403	177	68	27,5	305	172	700	M42	30	F12	125	4 x M12	A300	94.50

Item 1	Item 2	Item 3	Item 4
Body Material	Ball Material	Seat Material	Actuator Material
Low-temperature steel : A352 LCB	Stainless steel : A182-F304 / A351-CF8	RPTFE	Carbon steel A37

Belven N.V.

Blokhuisstraat 24 | 2800 Mechelen | Belgium
Tel. 015 29 40 70 | Fax. 015 20 14 13 | info@belven.com | www.belven.com

We keep the right to change the mentioned dimensions, weights, values and materials at any time without prior or direct notice.