

Technical Product Sheet

BV4S-4766T-A150 - Double Acting

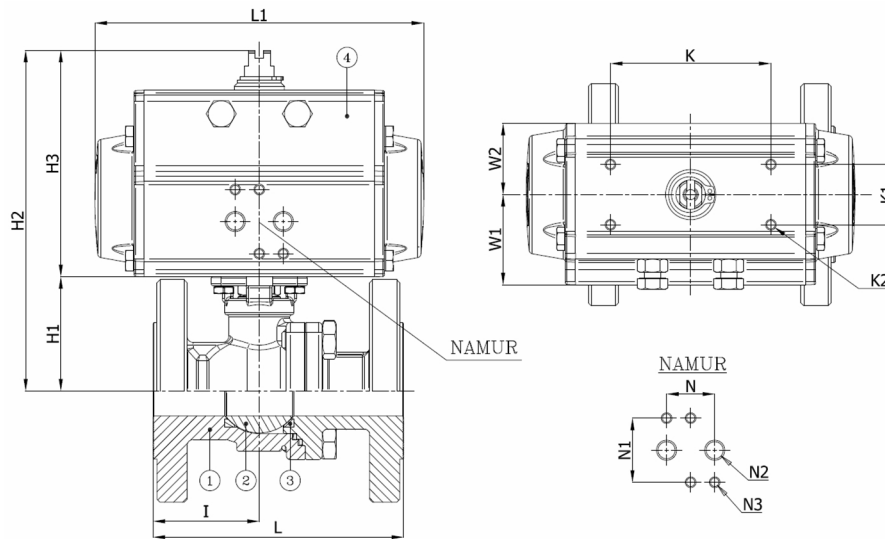
Ball valve, full bore, split body, flanged ANSI 150lbs, with double acting actuator

Face to Face Standard: ANSI B16.10

The actuator is selected for 25°C water with a pressure drop of 16 bar with 6 bar supply air pressure and minimum 1 cycle per week



Item Number	Belven Ref.
04S7A07DA2025	BV4S-4766T-A150-DN025 - DA052
04S7A07DA2040	BV4S-4766T-A150-DN040 - DA063
04S7A07DA2050	BV4S-4766T-A150-DN050 - DA075
04S7A07DA2080	BV4S-4766T-A150-DN080 - DA100
04S7A07DA2100	BV4S-4766T-A150-DN100 - DA100



DN/Size	L	H1	H2	H3	I	L1	W1	W2	K	K1	K2	N	N1	N2	N3	Press.Cl.	Weight(kg)
DN025 (1")	127	58	159,5	101,5	53	141	41	30	80	30	M5	24	32	1/8"	M5	A150	4.82
DN040 (1 1/2")	165	80	193	113	52	164	45	35,5	80	30	M5	24	32	1/8"	M5	A150	8.36
DN050 (2")	178	89,5	220,5	131	57,5	210	52,5	42	80	30	M5	24	32	1/8"	M5	A150	12.08
DN080 (3")	203	120	277,8	157,8	75,5	275	68	55	80	30	M5	24	32	1/4"	M5	A150	22.70
DN100 (4")	229	134,5	292,3	157,8	80	275	68	55	80	30	M5	24	32	1/4"	M5	A150	28.90

Item 1	Item 2	Item 3	Item 4
Body Material	Ball Material	Seat Material	Actuator Material
Low-temperature steel : 1.1156 (LCB)	Stainless steel : A182-F304/A351-CF8	PTFE	Extruded aluminium

Belven N.V.

Blokhuisstraat 24 | 2800 Mechelen | Belgium

Tel. 015 29 40 70 | Fax. 015 20 14 13 | info@belven.com | www.belven.com

We keep the right to change the mentioned dimensions, weights, values and materials at any time without prior or direct notice.