

# Technical Product Sheet

## BV12-2466E-PN10/PN16 - Electric 110/240V AC

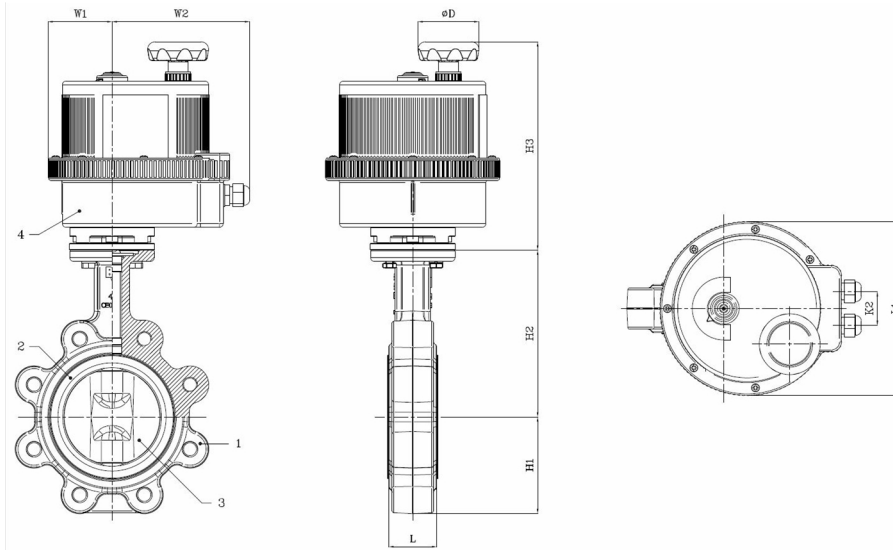
Lug type butterfly valve, mounting between flanges PN10/PN16, with electric actuator

Face to Face Standard: EN 558-1 Table 1 series 20

The actuator is selected for 20°C water with a pressure drop of 6 bar and minimum 1 cycle per week - 110/240V AC



Item Number	Belven Ref.
121026EXVV0050	BV12-2466E-PN16-DN050 - VB030 110/240VAC
121026EXVV0065	BV12-2466E-PN16-DN065 - VB030 110/240VAC
121026EXVV0080	BV12-2466E-PN16-DN080 - VB060 110/240VAC
121026EXVV0100	BV12-2466E-PN16-DN100 - VB060 110/240VAC
121026EXVV0125	BV12-2466E-PN16-DN125 - VB110 110/240VAC
121026EXVV0150	BV12-2466E-PN16-DN150 - VB190 110/240VAC



DN/Size	L	H1	H2	H3	L1	W2	W1	D	K2	Press.Cl.	Weight(kg)
DN050 (2")	43	71,4	142,7	200	157	129,5	60,5	65	36	PN16	5.90
DN065 (2 1/2")	46	77,8	155,4	200	157	129,5	60,5	65	36	PN16	6.50
DN080 (3")	46	89	161,8	227	185	146,5	67,5	65	36	PN16	8.20
DN100 (4")	52	102	178	221	185	146,5	67,5	65	36	PN16	10.70
DN125 (5")	56	123	190,5	232,1	211	153	84	110	40	PN16	13.90
DN150 (6")	56	138	205,2	232,1	211	153	84	110	40	PN16	15.70

Item 1	Item 2	Item 3	Item 4
Body Material	Seat Material	Disc Material	Actuator Material
Ductile iron : GGG40 + Epoxy coating	EPDM	Stainless steel : CF8M	Self-extinguishing polymer

Belven N.V.

Blokhuisstraat 24 | 2800 Mechelen | Belgium

Tel. 015 29 40 70 | Fax. 015 20 14 13 | [info@belven.com](mailto:info@belven.com) | [www.belven.com](http://www.belven.com)

We keep the right to change the mentioned dimensions, weights, values and materials at any time without prior or direct notice.