

# Technical Product Sheet

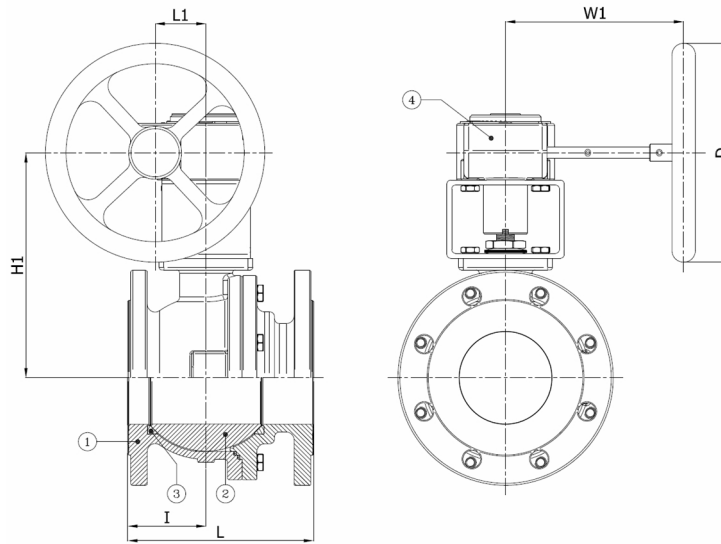
## BV4-4766T-PN16 - Aluminium Gearbox

Ball valve, full bore, split body, flanged PN16, with Rotork gearbox

Face to Face Standard: EN 558-1 series 27



Item Number	Belven Ref.
043D07F5065	BV4-4466T-PN16-DN065 - GEARBOX
043D07F5080	BV4-4466T-PN16-DN080 - GEARBOX
043D07F5100	BV4-4466T-PN16-DN100 - GEARBOX
043D07F5125	BV4-4466T-PN16-DN125 - GEARBOX
043D07F5150	BV4-4466T-PN16-DN150 - GEARBOX
043D07F5200	BV4-4466T-PN16-DN200 - GEARBOX



DN/Size	L	H1	I	L1	W1	D	Press.Cl.	Weight(kg)
DN065 (2 1/2")	170	181	61	46	166	125	PN16	19.90
DN080 (3")	180	217	75,5	52	194	224	PN16	23.80
DN100 (4")	190	230	80	52	194	224	PN16	30.30
DN125 (5")	325	252	149	52	194	224	PN16	53.30
DN150 (6")	350	315	157	65	236	256	PN16	81.90
DN200 (8")	400	360	190	80	376	400	PN16	122.00

Item 1	Item 2	Item 3	Item 4
Body Material	Ball Material	Seat Material	Actuator Material
Low-temperature steel : 1.1156 (LCB)	Stainless steel : A182-F304 / A351-CF8	PTFE	Aluminium

Belven N.V.

Blokhuisstraat 24 | 2800 Mechelen | Belgium

Tel. 015 29 40 70 | Fax. 015 20 14 13 | [info@belven.com](mailto:info@belven.com) | [www.belven.com](http://www.belven.com)

We keep the right to change the mentioned dimensions, weights, values and materials at any time without prior or direct notice.