

Technical Product Sheet

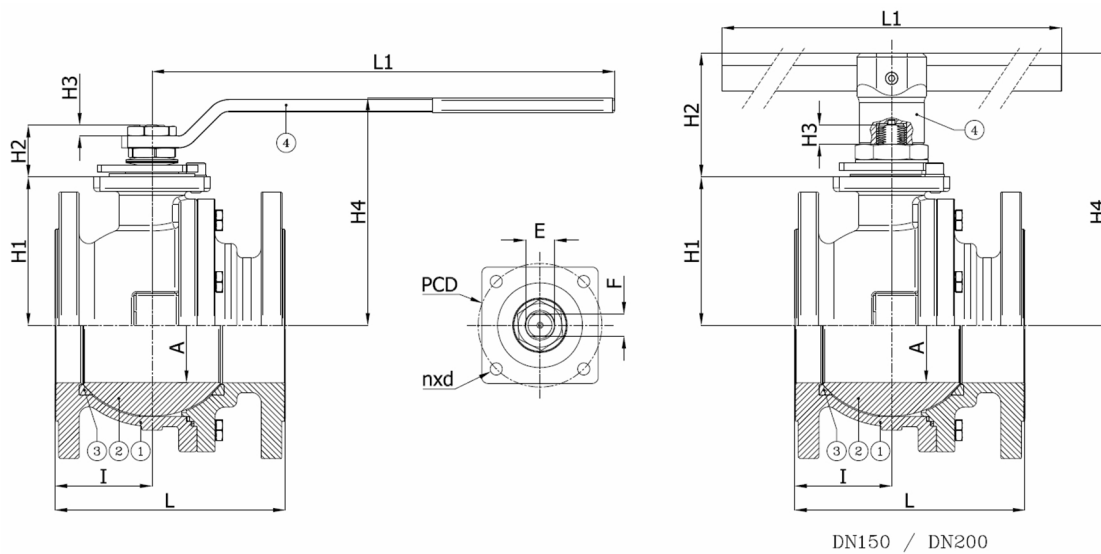
BV4-6666T-PN16 - Lever

Ball valve, full bore, split body, flanged PN16, with lever

Face to Face Standard: EN 558-1 series 27



Item Number	Belven Ref.
043D77F1065	BV4-6666T-PN16-DN065 - LEVER
043D77F1080	BV4-6666T-PN16-DN080 - LEVER
043D77F1100	BV4-6666T-PN16-DN100 - LEVER
043D77F1125	BV4-6666T-PN16-DN125 - LEVER
043D77F1150	BV4-6666T-PN16-DN150 - LEVER
043D77F1200	BV4-6666T-PN16-DN200 - LEVER



DN/Size	L	H1	H2	H3	H4	A	I	L1	Press.Cl.	Weight(kg)
DN65 (2 1/2")	170	93,5	39,5	18	154	64	61	321	PN16	16.20
DN80 (3")	180	108	43	18	173	76	75,5	381	PN16	19.60
DN100 (4")	190	122	43	18	187	95	80	381	PN16	27.10
DN125 (5")	325	144	43	18	209	125	149	381	PN16	47.10
DN150 (6")	350	177	68	27,5	305	150	157	700	PN16	75.50
DN200 (8")	400	220	68	27,5	348	200	190	700	PN16	133.50

Item 1	Item 2	Item 3	Item 4
Body Material	Ball Material	Seat Material	Actuator Material
Stainless steel : 1.4408 (CF8M)	Stainless steel : A182-F316 / A351-CF8M	PTFE	Carbon steel A37

Belven N.V.

Blokhuisstraat 24 | 2800 Mechelen | Belgium

Tel. 015 29 40 70 | Fax. 015 20 14 13 | info@belven.com | www.belven.com

We keep the right to change the mentioned dimensions, weights, values and materials at any time without prior or direct notice.