

# Technical Product Sheet

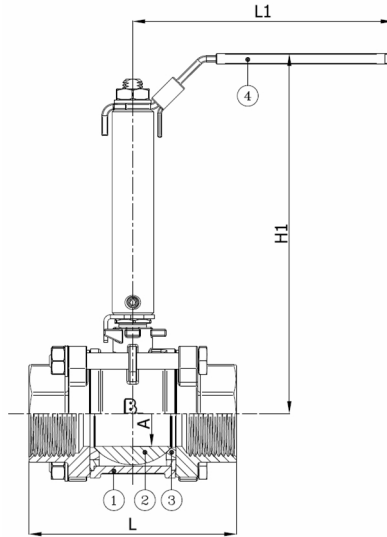


## BV3-2466T-LD-BSP - STE with lever

Ball valve with 3-pce body, full bore, BSP threaded F/F ISO7/1-Rp, with stainless steel stem extension and lockable lever  
Face to Face Standard: Factory standard



Item Number	Belven Ref.
036156T1S015-A	BV3-2466T-LD-BSP - 1/2" - STE-LEVER
036156T1S020-A	BV3-2466T-LD-BSP - 3/4" - STE-LEVER
036156T1S025-A	BV3-2466T-LD-BSP - 1" - STE-LEVER
036156T1S032-A	BV3-2466T-LD-BSP - 1 1/4" - STE-LEVER
036156T1S040-A	BV3-2466T-LD-BSP - 1 1/2" - STE-LEVER
036156T1S050-A	BV3-2466T-LD-BSP - 2" - STE-LEVER



DN/Size	L	H1	A	L1	Press.Cl.	Weight(kg)
DN015 (1/2")	65	145	15	80	1000 WOG	0.48
DN020 (3/4")	75	154,7	20	100	1000 WOG	0.72
DN025 (1")	85	165,3	24,5	125	1000 WOG	1.12
DN032 (1 1/4")	100	170,9	32	125	1000 WOG	1.54
DN040 (1 1/2")	110	184	38	160	1000 WOG	2.40
DN050 (2")	130	193,3	50	160	1000 WOG	3.70

Item 1	Item 2	Item 3	Item 4
Body Material	Ball Material	Seat Material	Actuator Material
Carbon steel : A216 WCB	Stainless steel : A351 CF8/A182-F304	PTFE	stainless steel AISI 316

Belven N.V.

Blokhuisstraat 24 | 2800 Mechelen | Belgium  
Tel. 015 29 40 70 | Fax. 015 20 14 13 | [info@belven.com](mailto:info@belven.com) | [www.belven.com](http://www.belven.com)

We keep the right to change the mentioned dimensions, weights, values and materials at any time without prior or direct notice.