

Technical Product Sheet

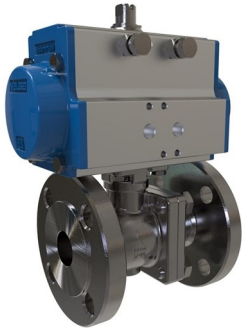


BV4S-6666T-PN10/PN16 - Double Acting

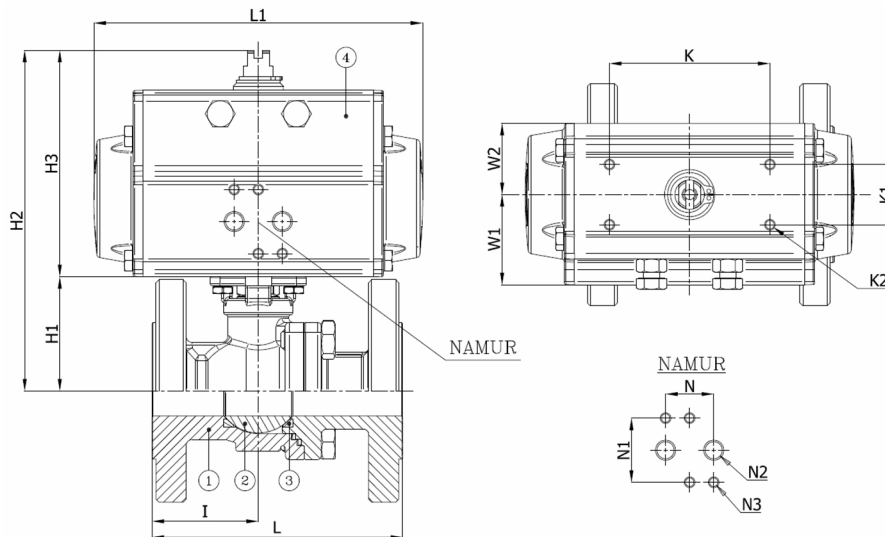
Ball valve, full bore, split body, flanged PN10/PN16, with double acting actuator

Face to Face Standard: EN 558-1 series 27

The actuator is selected for 25°C water with a pressure drop of 16 bar with 6 bar supply air pressure and minimum 1 cycle per week



Item Number	Belven Ref.
04S3D77DA2065	BV4S-6666T-PN16-DN065 - DA085
04S3D77DA2080	BV4S-6666T-PN16-DN080 - DA100
04S3D77DA2100	BV4S-6666T-PN16-DN100 - DA100



DN/Size	L	H1	H2	H3	I	L1	W1	W2	K	K1	K2	N	N1	N2	N3	Press.Cl.	Weight(kg)
DN065 (2 1/2")	170	111	256	145	63	240,5	58,5	47,5	80	30	M5	24	32	1/8"	M5	PN16	17.10
DN080 (3")	180	120	277,8	157,8	75,5	275	68	55	80	30	M5	24	32	1/4"	M5	PN16	22.70
DN100 (4")	190	134,5	292,3	157,8	80	275	68	55	80	30	M5	24	32	1/4"	M5	PN16	28.90

Item 1	Item 2	Item 3	Item 4
Body Material	Ball Material	Seat Material	Actuator Material
Stainless steel : 1.4408 (CF8M)	Stainless steel : A182-F316/A351-CF8M	PTFE	Extruded aluminium

Belven N.V.

Blokhuisstraat 24 | 2800 Mechelen | Belgium

Tel. 015 29 40 70 | Fax. 015 20 14 13 | info@belven.com | www.belven.com

We keep the right to change the mentioned dimensions, weights, values and materials at any time without prior or direct notice.