

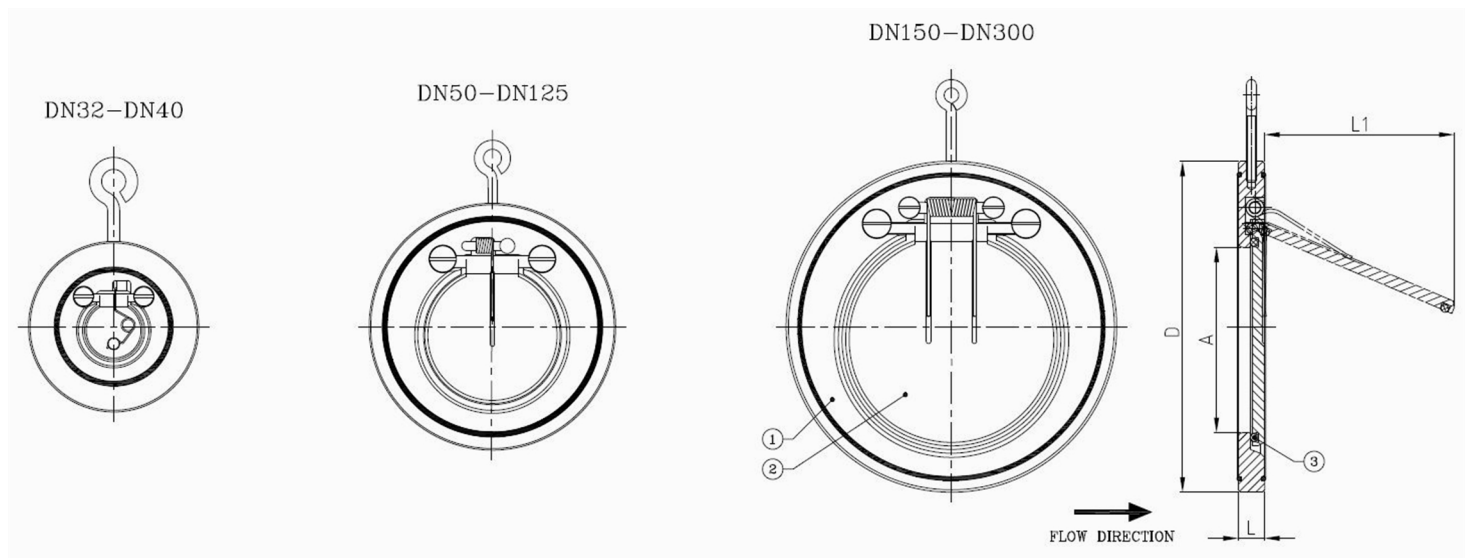
## BV39-6666E-PN10/PN16

Wafer type swing check valve with spring, mounting between flanges PN10/16

*Face to Face Standard:* Factory standard



Item Number	Belven Ref.
393077N0032	BV39-6666E-PN16-DN032
393077N0040	BV39-6666E-PN16-DN040
393077N0050	BV39-6666E-PN16-DN050
393077N0065	BV39-6666E-PN16-DN065
393077N0080	BV39-6666E-PN16-DN080
393077N0100	BV39-6666E-PN16-DN100
393077N0125	BV39-6666E-PN16-DN125
393077N0150	BV39-6666E-PN16-DN150
393077N0200	BV39-6666E-PN16-DN200



DN/Size	A	D	L	L1	Press.Cl.	Weight(kg)
DN32 (1 1/4")	18	85	15	22	PN16	0.60
DN40 (1 1/2")	22	95	16	25	PN16	0.80
DN50 (2")	32	109	14	37	PN16	0.90
DN65 (2 1/2")	40	129	14	50	PN16	1.20
DN80 (3")	54	144	14	61	PN16	1.50
DN100 (4")	70	164	18	77	PN16	2.40
DN125 (5")	92	195	18	98	PN16	3.30
DN150 (6")	112	220	20	120	PN16	4.60
DN200 (8")	154	275	22	160	PN16	7.70

Item 1	Item 2	Item 3
Body Material	Disc Material	Seat Material
Stainless steel : 1.4408 (CF8M)	Stainless steel : 1.4408/1.4581 (CF8M/AISI 316Nb)	EPDM