

Technical Product Sheet

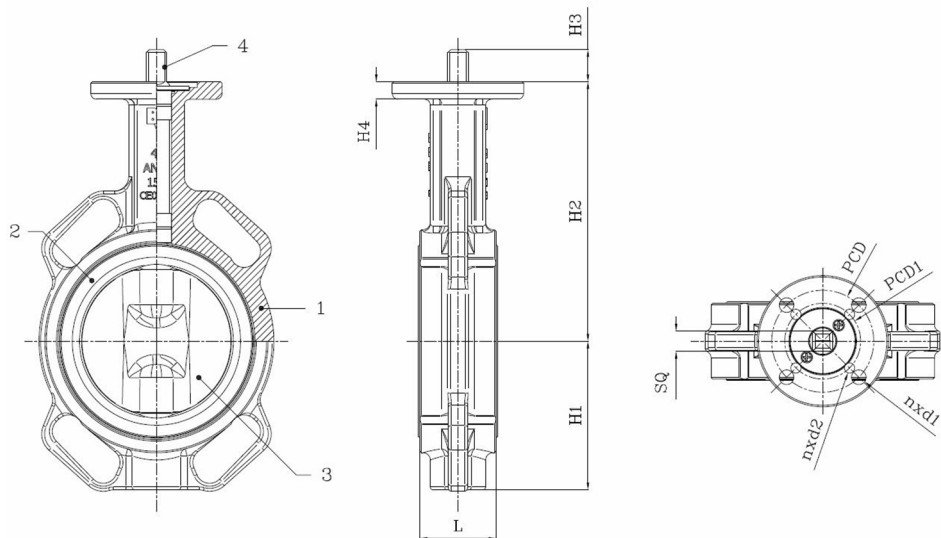
BV10-2366B-PN10/PN16/A150 - Bare Shaft

Wafer type butterfly valve, mounting between flanges PN10/PN16/A150, bare shaft

Face to Face Standard: EN 558-1 Table 1 series 20



Item Number	Belven Ref.
101026B0050	BV10-2366B-PN16-DN050 - BARE SHAFT
101026B0065	BV10-2366B-PN16-DN065 - BARE SHAFT
101026B0080	BV10-2366B-PN16-DN080 - BARE SHAFT
101026B0100	BV10-2366B-PN16-DN100 - BARE SHAFT
101026B0125	BV10-2366B-PN16-DN125 - BARE SHAFT
101026B0150	BV10-2366B-PN16-DN150 - BARE SHAFT
101026B0200	BV10-2366B-PN16-DN200 - BARE SHAFT
101026B0250	BV10-2366B-PN16-DN250 - BARE SHAFT
101026B0300	BV10-2366B-PN16-DN300 - BARE SHAFT



DN/Size	L	H1	H2	H3	H4	SQ	ISO	PCD	n x d1	n x d2	PCD1	Press.Cl.	Weight(kg)
DN050 (2")	43	71,4	142,7	22	12	11	F05/F07	70	4 x d10	4 x d7	50	PN16	2.60
DN065 (2 1/2")	46	77,8	155,4	22	12	11	F05/F07	70	4 x d10	4 x d7	50	PN16	3.10
DN080 (3")	46	89	161,8	22	12	11	F05/F07	70	4 x d10	4 x d7	50	PN16	3.40
DN100 (4")	52	102	178	22	12	14	F07	70	4 x d10			PN16	4.50
DN125 (5")	56	123	190,5	22	12	14	F07	70	4 x d10			PN16	6.40
DN150 (6")	56	138	205,2	22	12	14	F07	70	4 x d10			PN16	7.80
DN200 (8")	60	168	237	34,5	16	17	F10	102	4 x d12			PN16	14.10
DN250 (10")	68	207	268,3	34,5	16	22	F10	102	4 x d12			PN16	19.20
DN300 (12")	78	243,5	308,5	34,5	16	27	F12	125	4 x d14			PN16	29.20

Item 1	Item 2	Item 3	Item 4
Body Material	Seat Material	Disc Material	Actuator Material
Cast iron : GG25 + Epoxy coating	NBR	Stainless steel : CF8M	SS Stem AISI 416

Belven N.V.

Blokhuisstraat 24 | 2800 Mechelen | Belgium
 Tel. 015 29 40 70 | Fax. 015 20 14 13 | info@belven.com | www.belven.com

We keep the right to change the mentioned dimensions, weights, values and materials at any time without prior or direct notice.