

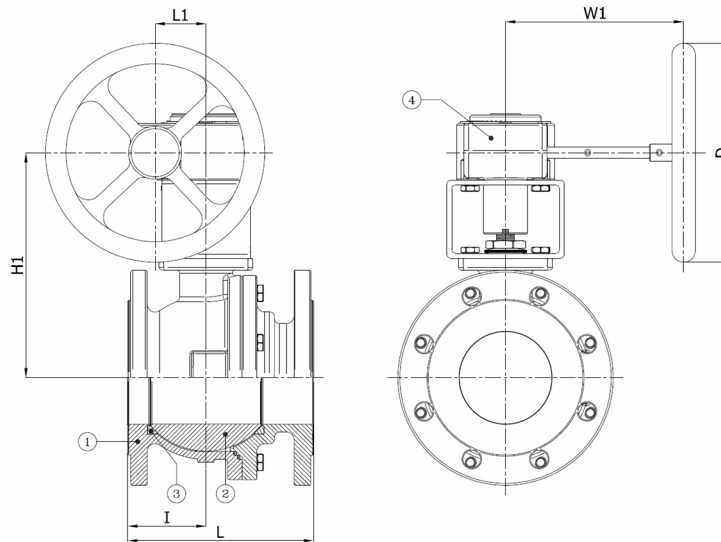
Technical Product Sheet

BV4-4766R-A300 - Aluminium Gearbox

Ball valve, full bore, split body, flanged ANSI 300lbs, with Rotork gearbox
Face to Face Standard: ANSI B16.10



| Item Number | Belven Ref. |
|-------------|--------------------------------|
| 048A07F5015 | BV4-4766R-A300-DN015 - GEARBOX |
| 048A07F5020 | BV4-4766R-A300-DN020 - GEARBOX |
| 048A07F5025 | BV4-4766R-A300-DN025 - GEARBOX |
| 048A07F5040 | BV4-4766R-A300-DN040 - GEARBOX |
| 048A07F5050 | BV4-4766R-A300-DN050 - GEARBOX |
| 048A07F5080 | BV4-4766R-A300-DN080 - GEARBOX |
| 048A07F5100 | BV4-4766R-A300-DN100 - GEARBOX |
| 048A07F5150 | BV4-4766R-A300-DN150 - GEARBOX |



| DN/Size | L | H1 | I | L1 | W1 | D | Press.Cl. | Weight(kg) |
|----------------|-----|-----|------|----|-----|-----|-----------|------------|
| DN015 (1/2") | 140 | 110 | 61,5 | 45 | 119 | 100 | A300 | 4.20 |
| DN020 (3/4") | 152 | 115 | 61 | 45 | 119 | 100 | A300 | 4.70 |
| DN025 (1") | 165 | 132 | 70,5 | 45 | 119 | 100 | A300 | 6.10 |
| DN040 (1 1/2") | 190 | 164 | 78,5 | 46 | 166 | 125 | A300 | 9.50 |
| DN050 (2") | 216 | 169 | 86 | 46 | 166 | 125 | A300 | 15.30 |
| DN080 (3") | 283 | 217 | 81 | 52 | 194 | 224 | A300 | 25.80 |
| DN100 (4") | 305 | 230 | 88,5 | 52 | 194 | 224 | A300 | 34.30 |
| DN150 (6") | 403 | 315 | 172 | 65 | 236 | 256 | A300 | 86.50 |

| Item 1 | Item 2 | Item 3 | Item 4 |
|----------------------------------|--|---------------|-------------------|
| Body Material | Ball Material | Seat Material | Actuator Material |
| Low-temperature steel : A352 LCB | Stainless steel : A182-F304 / A351-CF8 | RPTFE | Aluminium |

Belven N.V.

Blokhuisstraat 24 | 2800 Mechelen | Belgium
Tel. 015 29 40 70 | Fax. 015 20 14 13 | info@belven.com | www.belven.com

We keep the right to change the mentioned dimensions, weights, values and materials at any time without prior or direct notice.