

# Technical Product Sheet

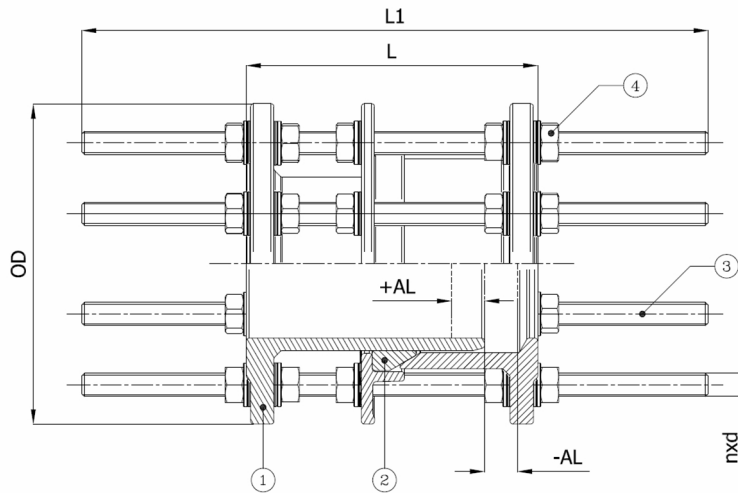
## BV51A-3434B-PN10

Restrained dismantling joint with flange-to-flange tie rods, flanged PN10

Face to Face Standard: Factory standard



Item Number	Belven Ref.
51A2F44B0200	BV51A-3434B-PN10 DN200
51A2F44B0250	BV51A-3434B-PN10 DN250
51A2F44B0300	BV51A-3434B-PN10 DN300



DN/Size	L	L1	+ AL	- AL	n x d	OD	Press.Cl.	Weight(kg)
DN200 (8")	200	430	25	25	8 x M20	340	PN10	36.70
DN250 (10")	200	430	25	25	12 x M20	400	PN10	51.60
DN300 (12")	220	470	25	25	12 x M20	455	PN10	72.00

Item 1	Item 2	Item 3	Item 4
Body Material	Joint Material	Material Tie Rod	Material Fasteners
Ductile iron : GGG50 + Epoxy coating	NBR	Stainless steel : AISI 304	Brass