

# Technical Product Sheet

## BV4-4766R-A300 - Single Acting (AFC)

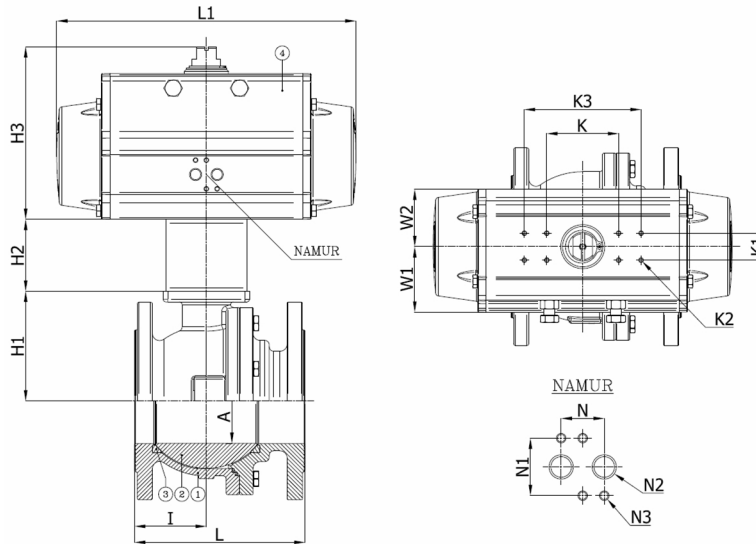
Ball valve, full bore, split body, flanged ANSI 300lbs, with spring return actuator AFC

Face to Face Standard: ANSI B16.10

The actuator is selected for 25°C water with a pressure drop of 16 bar with 6 bar supply air pressure and minimum 1 cycle per week, at air pressure failure the springs will put the valve in closed position



Item Number	Belven Ref.
048A07SA1015	BV4-4766R-A300-DN015 - SR052
048A07SA1020	BV4-4766R-A300-DN020 - SR063
048A07SA1025	BV4-4766R-A300-DN025 - SR075
048A07SA1040	BV4-4766R-A300-DN040 - SR085
048A07SA1050	BV4-4766R-A300-DN050 - SR085
048A07SA1080	BV4-4766R-A300-DN080 - SR115
048A07SA1100	BV4-4766R-A300-DN100 - SR115
048A07SA1150	BV4-4766R-A300-DN150 - SR180



DN/Size	L	H1	H2	H3	I	L1	W1	W2	K	K3	K1	K2	N	N1	N2	N3	Press.Cl.	Weight(kg)
DN015 (1/2")	140	33	50	101,5	61,5	141	41	30	80		30	M5	24	32	1/8"	M5	A300	4.10
DN020 (3/4")	152	37	50	113	61	164	45	35,5	80		30	M5	24	32	1/8"	M5	A300	6.20
DN025 (1")	165	45	60	131	70,5	210	52,5	42	80		30	M5	24	32	1/8"	M5	A300	9.30
DN040 (1 1/2")	190	77	60	145	78,5	240,5	58,5	47,5	80		30	M5	24	32	1/8"	M5	A300	15.60
DN050 (2")	216	83,5	60	145	86	240,5	58,5	47,5	80		30	M5	24	32	1/8"	M5	A300	17.20
DN080 (3")	283	108	80	192,4	81	333	73	64	80	130	30	M5	24	32	1/4"	M5	A300	37.50
DN100 (4")	305	122	80	192,4	88,5	333	73	64	80	130	30	M5	24	32	1/4"	M5	A300	50.60
DN150 (6")	403	177	100	283	172	493	115	98	80	130	30	M5	24	32	1/4"	M5	A300	124.50

Item 1	Item 2	Item 3	Item 4
Body Material	Ball Material	Seat Material	Actuator Material
Low-temperature steel : A352 LCB	Stainless steel : A182-F304 / A351-CF8	RPTFE	Extruded aluminium

Belven N.V.

Blokhuisstraat 24 | 2800 Mechelen | Belgium

Tel. 015 29 40 70 | Fax. 015 20 14 13 | info@belven.com | www.belven.com

We keep the right to change the mentioned dimensions, weights, values and materials at any time without prior or direct notice.