

Technical Product Sheet

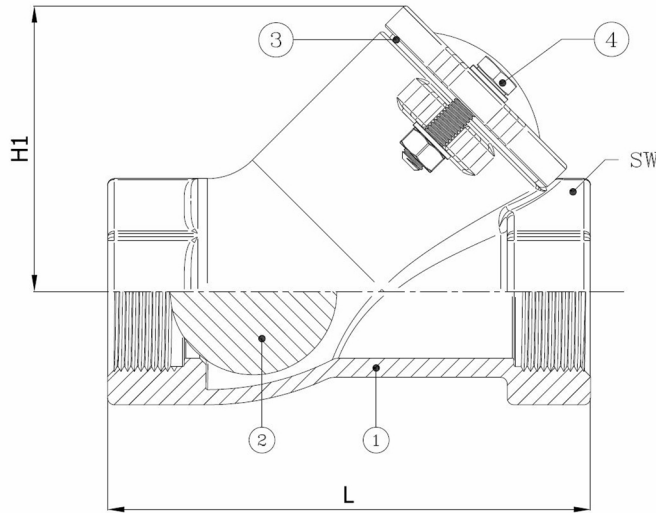
BV41AQ-3444B-BSP

Ball check valve, threaded F/F ISO228/1-G with sinking ball

Face to Face Standard: Factory standard



Item Number	Belven Ref.
41A3244B0032	BV41AQ-3444B-BSP - 1 1/4"
41A3244B0040	BV41AQ-3444B-BSP - 1 1/2"
41A3244B0050	BV41AQ-3444B-BSP - 2"
41A3244B0065	BV41AQ-3444B-BSP - 2 1/2"
41A3244B0080	BV41AQ-3444B-BSP - 3"



DN/Size	L	H1	SW	Press.Cl.	Weight(kg)
DN032 (1 1/4")	135	72	50	PN16	1.70
DN040 (1 1/2")	145	85	60	PN16	1.80
DN050 (2")	175	100	70	PN16	2.90
DN065 (2 1/2")	200	125	90	PN16	5.00
DN080 (3")	248	160	108	PN16	7.50

Item 1	Item 2	Item 3
Body Material	Disc Material	Seat Material
Ductile iron : GGG50 + Epoxy coating		

Belven N.V.

Blokhuisstraat 24 | 2800 Mechelen | Belgium

Tel. 015 29 40 70 | Fax. 015 20 14 13 | info@belven.com | www.belven.com

We keep the right to change the mentioned dimensions, weights, values and materials at any time without prior or direct notice.