

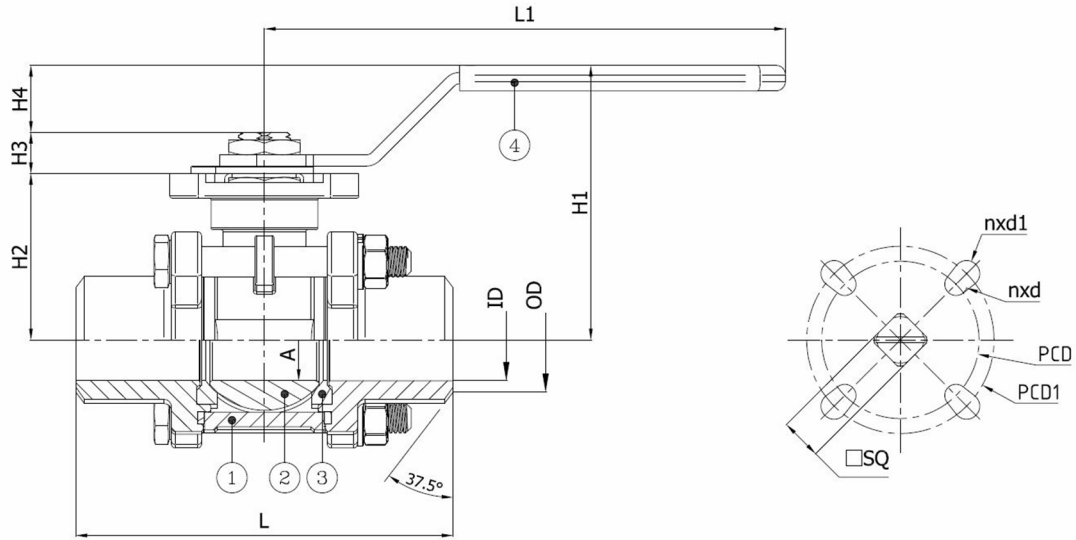
Technical Product Sheet

BV3M3-2466T-BW - Lever

Ball valve with 3-pce body, full bore, welding ends BW ASME B16.25 Sched.40, ISO 5211 high top flange, with lockable lever
Face to Face Standard: DIN 3202-2 S13



Item Number	Belven Ref.
03M36856T1008	BV3M3-2466T-BW - 1/4" - LEVER
03M36856T1010	BV3M3-2466T-BW - 3/8" - LEVER
03M36856T1015	BV3M3-2466T-BW - 1/2" - LEVER
03M36856T1020	BV3M3-2466T-BW - 3/4" - LEVER
03M36856T1025	BV3M3-2466T-BW - 1" - LEVER
03M36856T1032	BV3M3-2466T-BW - 1 1/4" - LEVER
03M36856T1040	BV3M3-2466T-BW - 1 1/2" - LEVER
03M36856T1050	BV3M3-2466T-BW - 2" - LEVER



DN/Size	L	H1	H2	H3	H4	A	L1	ID	OD	SQ	ISO	PCD	n x d1	PCD1	ISO1	n x d	Press.Cl.	Weight(kg)
DN008 (1/4")	55	61,1	36	9	15,5	11,6	112	11,6	18,1	9	F03	36				4 x 6	1000 WOG	0.50
DN010 (3/8")	60	61,1	36	9	15,5	12,8	112	12,8	18,1	9	F03	36				4 x 6	1000 WOG	0.50
DN015 (1/2")	75	63,1	38	9	15,5	15	112	15	21,7	9	F03	36				4 x 6	1000 WOG	0.60
DN020 (3/4")	90	70,6	41,7	11	17,3	20	138	20	27,2	11	F04	42	4 x 7	50	F05	4 x 6	1000 WOG	0.90
DN025 (1")	100	73,3	44,4	11	17,3	25	138	25	34	11	F04	42	4 x 7	50	F05	4 x 6	1000 WOG	1.10
DN032 (1 1/4")	110	88,4	52,8	16	24,4	32	205	32	42,7	14	F05	50	4 x 9	70	F07	4 x 7	1000 WOG	1.80
DN040 (1 1/2")	125	94,1	58,5	16	24,4	38	205	38	48,6	14	F05	50	4 x 9	70	F07	4 x 7	1000 WOG	2.50
DN050 (2")	150	101,6	66	16	24,4	50	205	50	60,5	14	F05	50	4 x 9	70	F07	4 x 7	1000 WOG	3.70

Item 1	Item 2	Item 3	Item 4
Body Material	Ball Material	Seat Material	Actuator Material
Carbon steel : A216 WCB	Stainless steel : A351 CF8	PTFE	Stainless steel : AISI 304

Belven N.V.

Blokhuisstraat 24 | 2800 Mechelen | Belgium
Tel. 015 29 40 70 | Fax. 015 20 14 13 | info@belven.com | www.belven.com

We keep the right to change the mentioned dimensions, weights, values and materials at any time without prior or direct notice.