

Technical Product Sheet



BV4S-4466T-A150 - Electric 110/240V AC

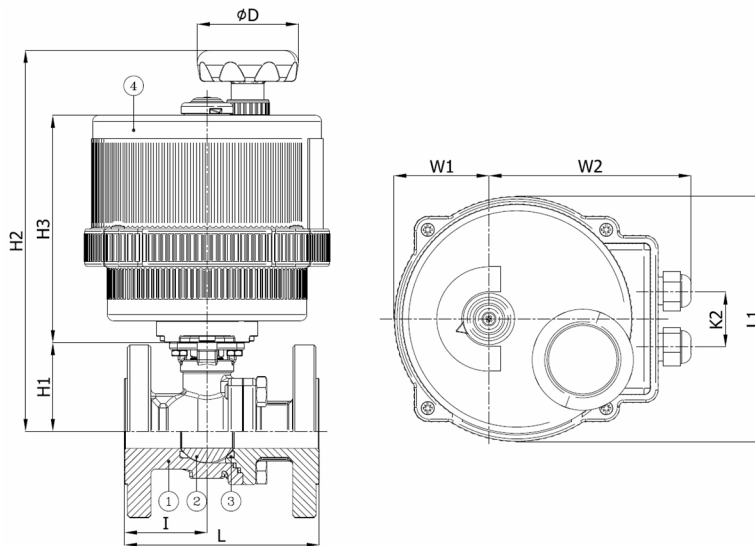
Ball valve, full bore, split body, flanged ANSI 150lbs, with electric actuator

Face to Face Standard: ANSI B16.10

The actuator is selected for 20°C water with a pressure drop of 6 bar and minimum 1 cycle per week - 110/240V AC



Item Number	Belven Ref.
04S7A57EL025	BV4S-4466T-A150-DN025 - VB030 110/240VAC
04S7A57EL040	BV4S-4466T-A150-DN040 - VB060 110/240VAC
04S7A57EL050	BV4S-4466T-A150-DN050 - VB060 110/240VAC
04S7A57EL080	BV4S-4466T-A150-DN080 - VB110 110/240VAC
04S7A57EL100	BV4S-4466T-A150-DN100 - VB190 110/240VAC



DN/Size	L	H1	H2	H3	H4	I	L1	W1	W2	D	K2	Press.Cl.	Weight(kg)
DN025 (1")	127	58	246	146	42	53	157	60,5	129,5	65	36	A150	6.00
DN040 (1 1/2")	165	80	295	173	42	52	185	67,5	146,5	65	36	A150	10.00
DN050 (2")	178	89,5	304,5	173	42	57,5	185	67,5	146,5	65	36	A150	12.60
DN080 (3")	203	120	352,1	178	54,1	75,5	211	84	153	110	40	A150	22.10
DN100 (4")	229	134,5	366,6	178	54,1	80	211	84	153	110	40	A150	28.30

Item 1	Item 2	Item 3	Item 4
Body Material	Ball Material	Seat Material	Actuator Material
Carbon steel : 1.0619 (WCB)	Stainless steel : A182-F304/A351-CF8	PTFE	Self-extinguishing polymer

Belven N.V.

Blokhuisstraat 24 | 2800 Mechelen | Belgium

Tel. 015 29 40 70 | Fax. 015 20 14 13 | info@belven.com | www.belven.com

We keep the right to change the mentioned dimensions, weights, values and materials at any time without prior or direct notice.